

TÜRENWERKE
PREMIUM LINE



P90

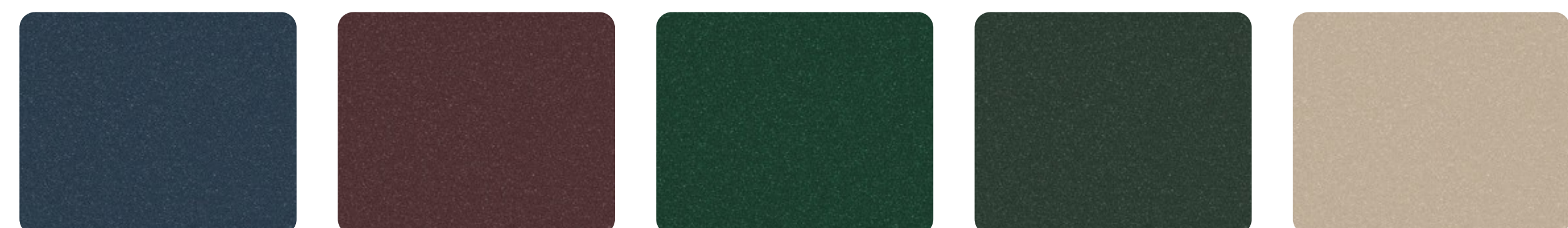
ALUMINIUM DOORS

FULL COLOR RANGE

* optionally the inside and outside of the door can have different colors

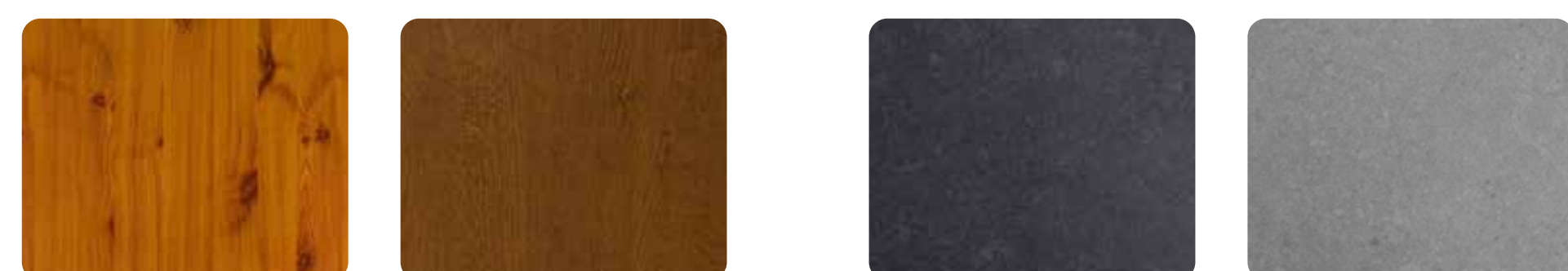


Anthracite textured DB703 Anthracite textured Gray textured White textured Signal Black textured



Steel Blue textured Red Brown textured Moss Green textured Fir Green textured Light Ivory textured

Wood model obtained by sublimation



Pinewood Winchester Dark concrete Light concrete



The Premium doors line is all about an elegant and modern design. Because they are made entirely of aluminium they are incredibly durable - they remain aesthetically pleasing and functional for many years.

MODELS

MODEL 00



MODEL 01



MODEL 02



MODEL 04



MODEL 08



MODEL 09



MODEL 11



MODEL 14



MODEL 15



MODEL 210



MODEL 211



BLACKLINE MODELS

MODEL 20



MODEL 21



MODEL 22



MODEL 24



MODEL 28



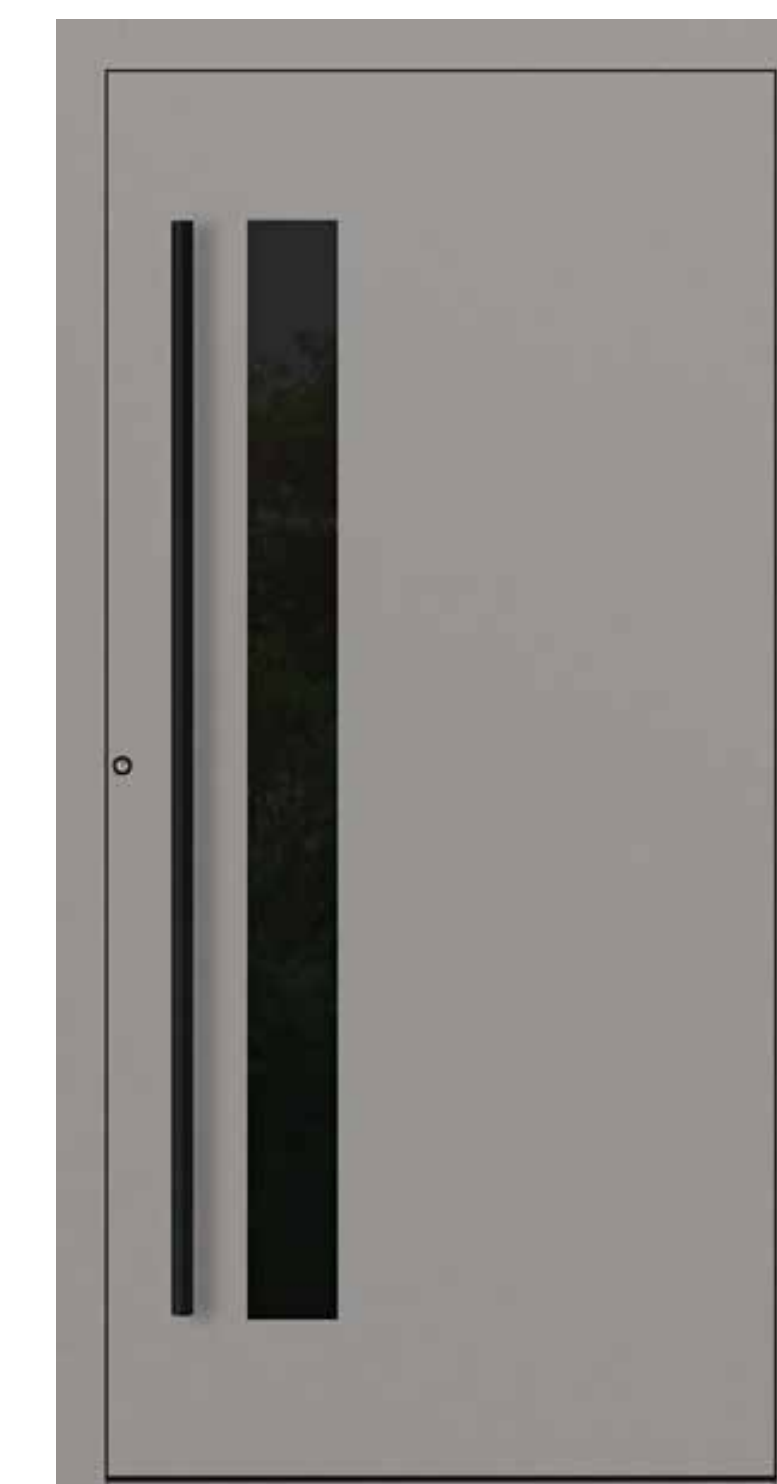
MODEL 29



MODEL 31



MODEL 34



MODEL 35



MODEL 310



MODEL 311



PARAMETHERS

P90 ALUMINIUM DOORS

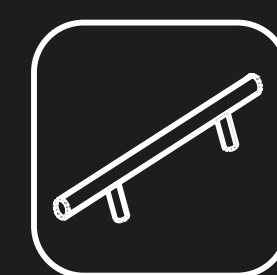


Security - IFT Rosenheim security class RC2.

Motorised lock option available



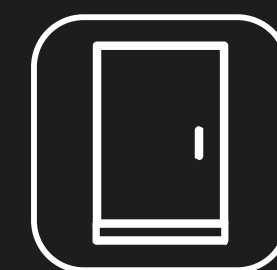
Smarthome with a fingerprint reader - you will never need your key again!



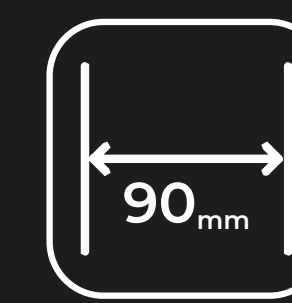
Stainless steel handlebar: Long or short? Silver or black? Round or square? We have them all!

3D

3 reinforced roller hinges - adjustable in 3 directions, round and matched to the color of the door.



PVC threshold insulation (30 mm high)



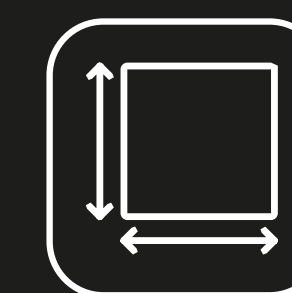
3-chamber aluminium profile with thermal break, stable and durable
Sidelight and top light available.



Modern design - simple and elegant.



Effective thermal value - 0.8 W/m²K for doors without glazing or 0.98 W/m²K for doors with glazing.

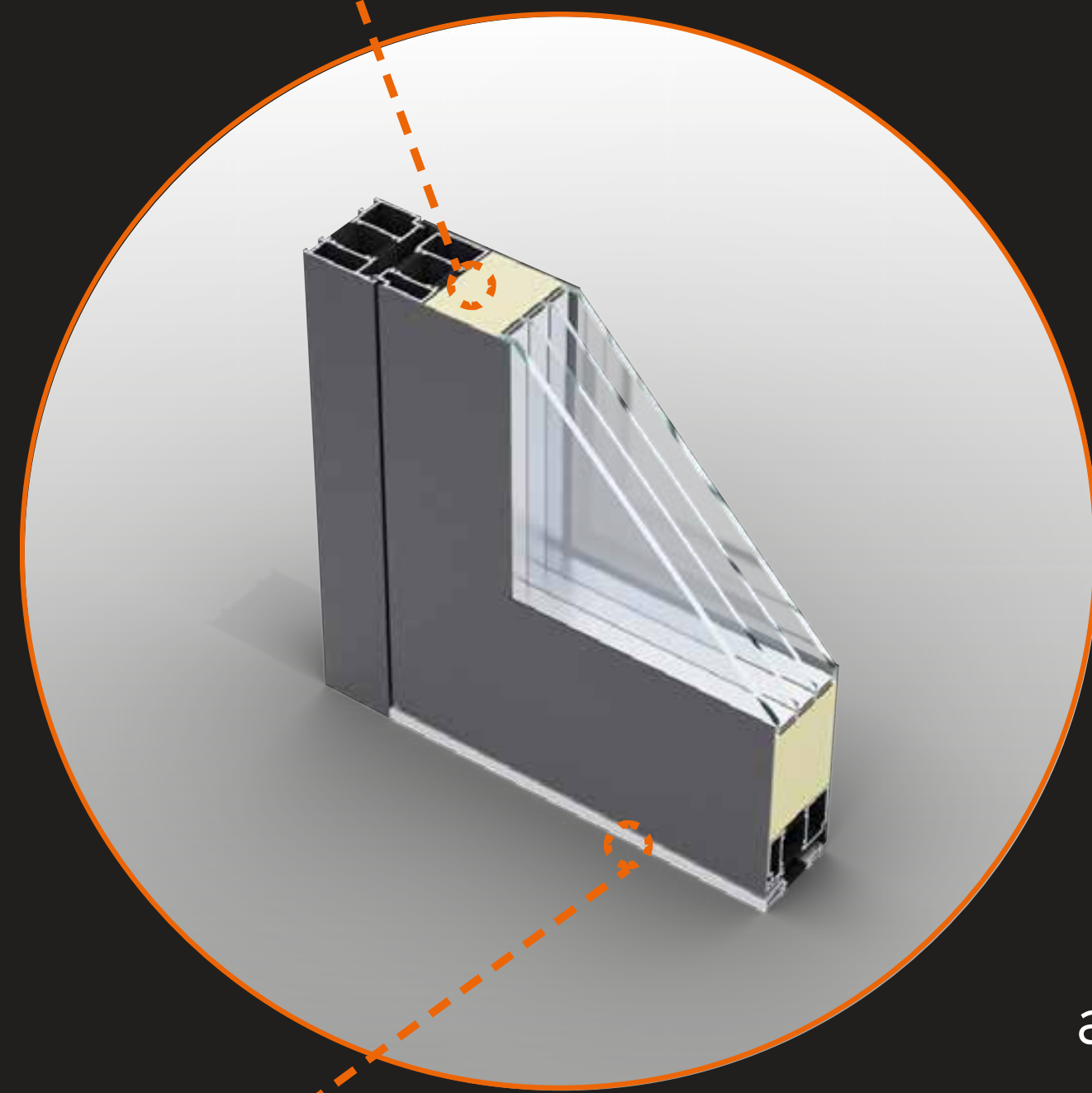


Bespoke dimensions

ALUMINIUM DOORS

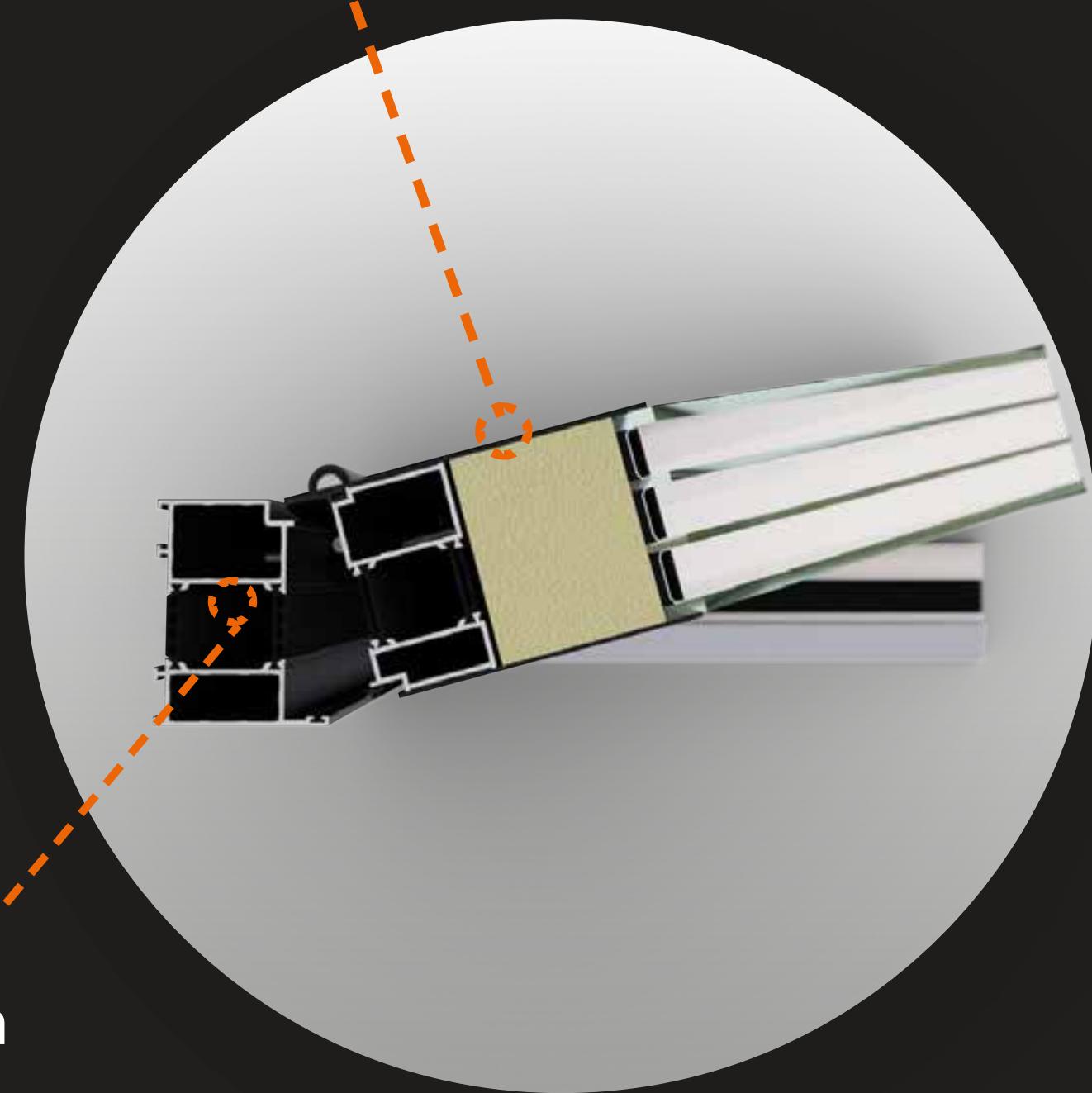
TECHNICAL INFORMATION

door leaf thickness
90 mm



aluminum threshold
with thermal break

insulation core: XPS



aluminium
frame -
90 mm

Sash and frame flush on both sides

3-chamber glazing
with four color options

insulation core: XPS

aluminum
frame

5-point Winkhaus
lock

optional: electric
strike
with day/night
function

3D roller hinges in
the door's color

optional:
concealed hinge

four-sided
rebate

2 mm aluminum cover powder-
coated / sublimation painted

aluminum threshold
with thermal break



Declaration of Performance

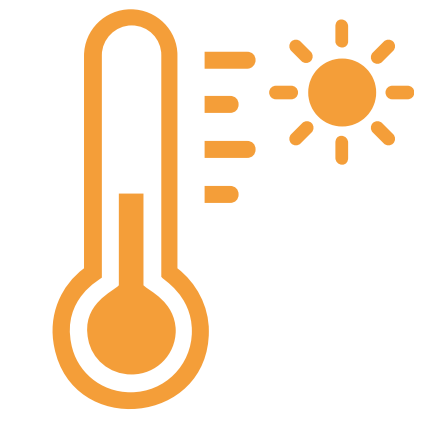
Nr 04090 S

TÜRENWERKE

Essential characteristics	Performance	Harmonized standard
Resistance to wind loads Width / height of the door passage (mm) 988/2000	Class CE2400/BE2400	PN-EN 14351-1+A1:2010
Waterproofness	7A 300(Pa)	
Air permeability	Class 4	
Heat transfer coefficient	Ud= 0,8 W/m2K Full panel door Ud=0,98W/m2K Door with glazing	
Solar radiation characteristics Solar radiation factor (g)	NPD	
Dangerous substances	None	PN-EN 1217:2005
Dynamic closing force	Class 4 (10N)	
Force required to open the door using the handle	Class 2 (50N)	
Force required to turn the key in the lock	Class 4 (4N)	
Force required to start and maintain the movement of the door leaf Class 4 (10N)	Class 4 (10N)	

9. Relevant technical documentation or specific technical documentation: P90/ STAR control panel DOOR technical documentation

10. This declaration of performance is issued under the sole responsibility of the manufacturer specified at pt. no. 4



Heat transfer coefficient

FULL PANEL DOOR

Ud= 0,8 W/m2K

DOOR WITH GLAZING

Ud= 0,98 W/m2K



Air permeability

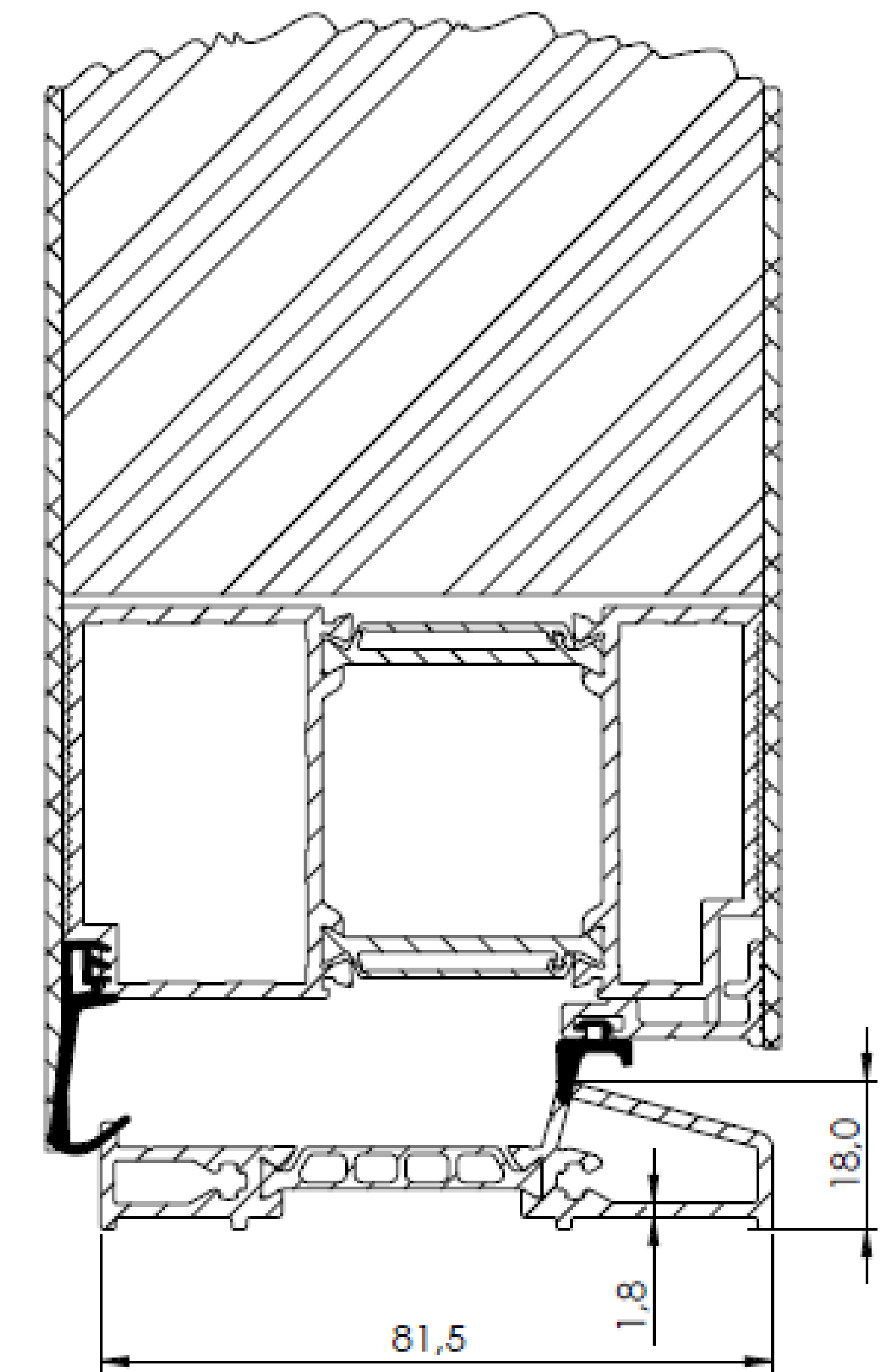
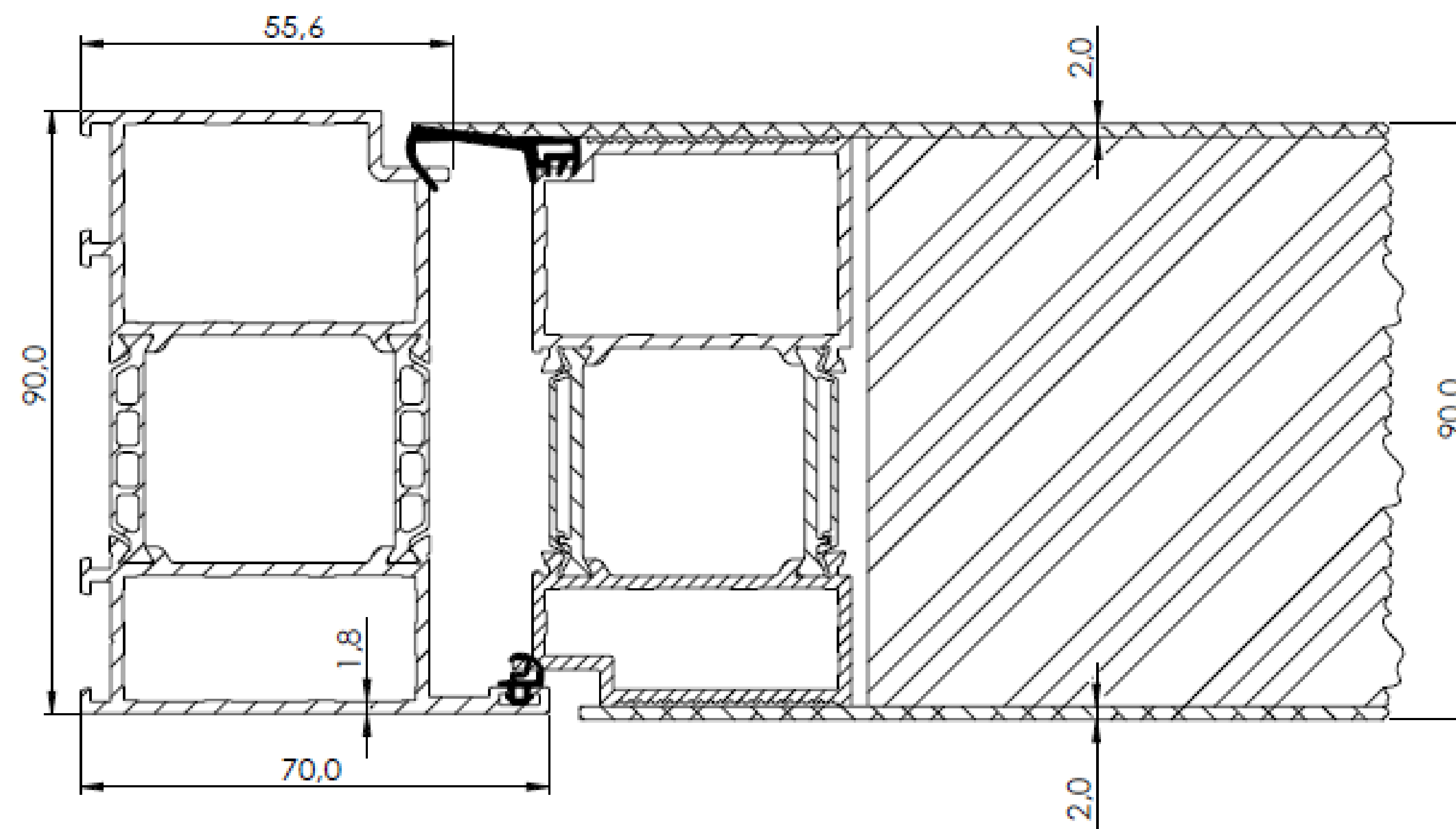
CLASS 4



Waterproofness

CLASS 7A

TECHNICAL DRAWINGS



PREMIUM LINE

simplified cross-section

TECHNICAL DRAWINGS

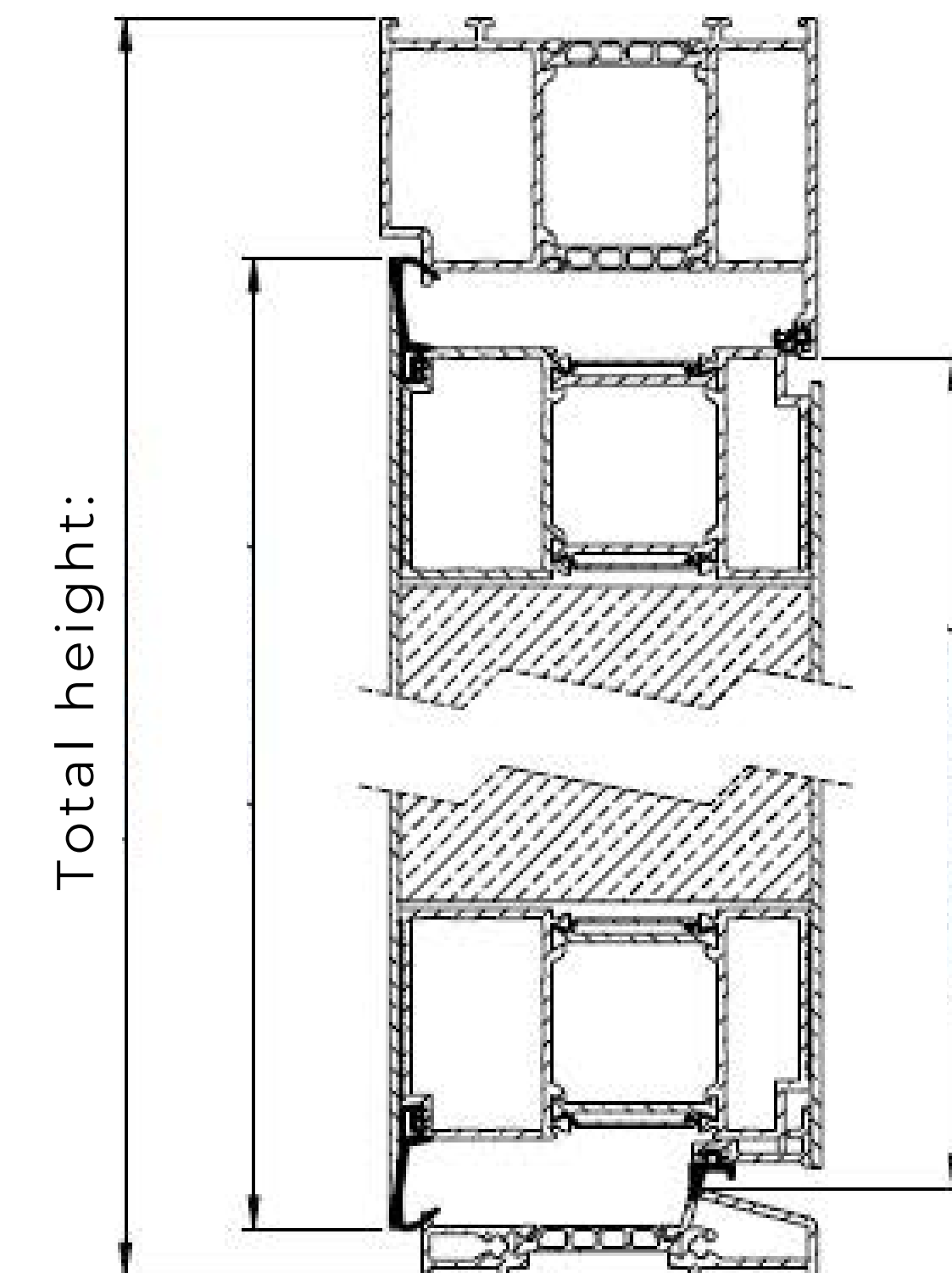
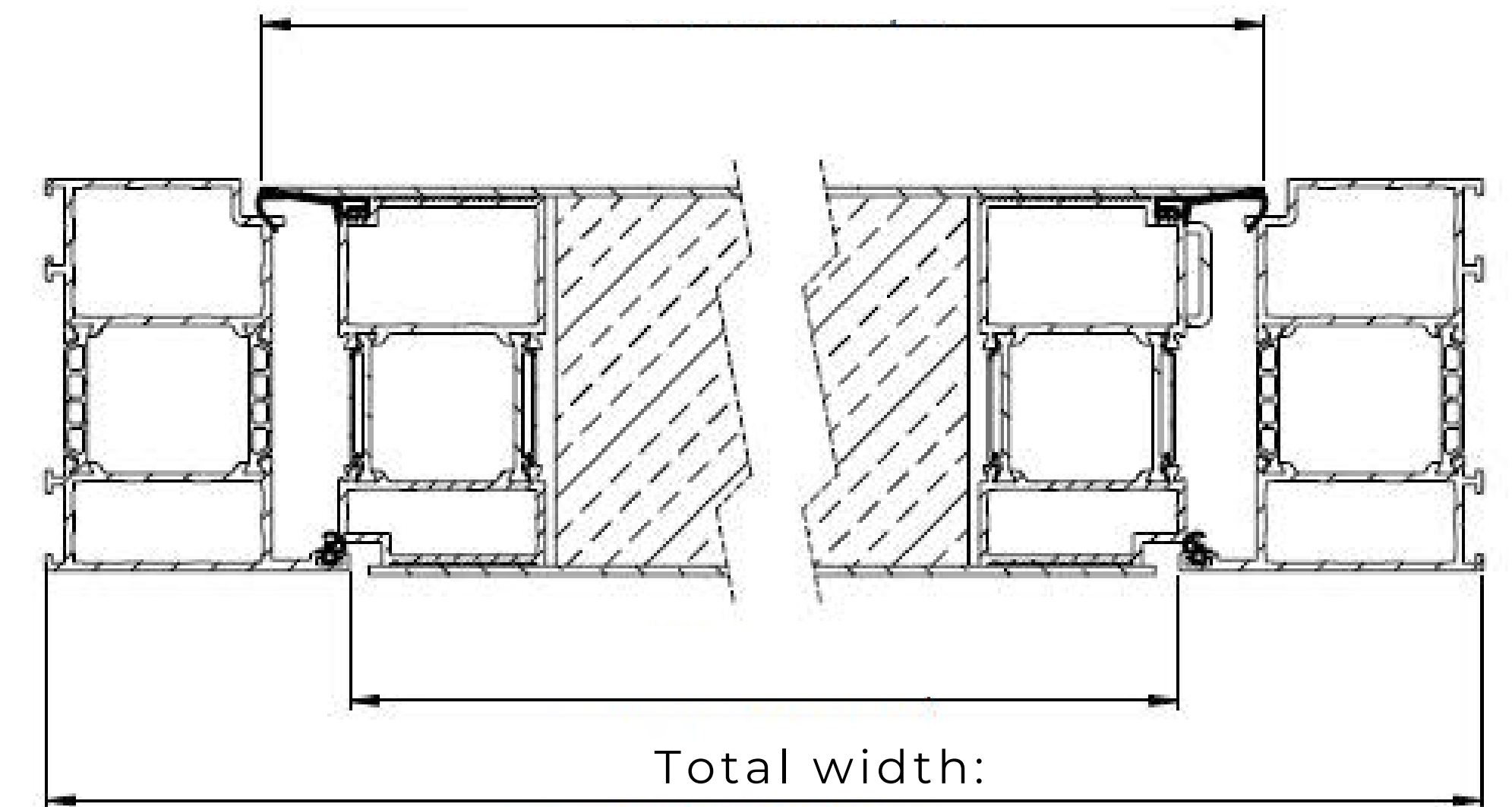
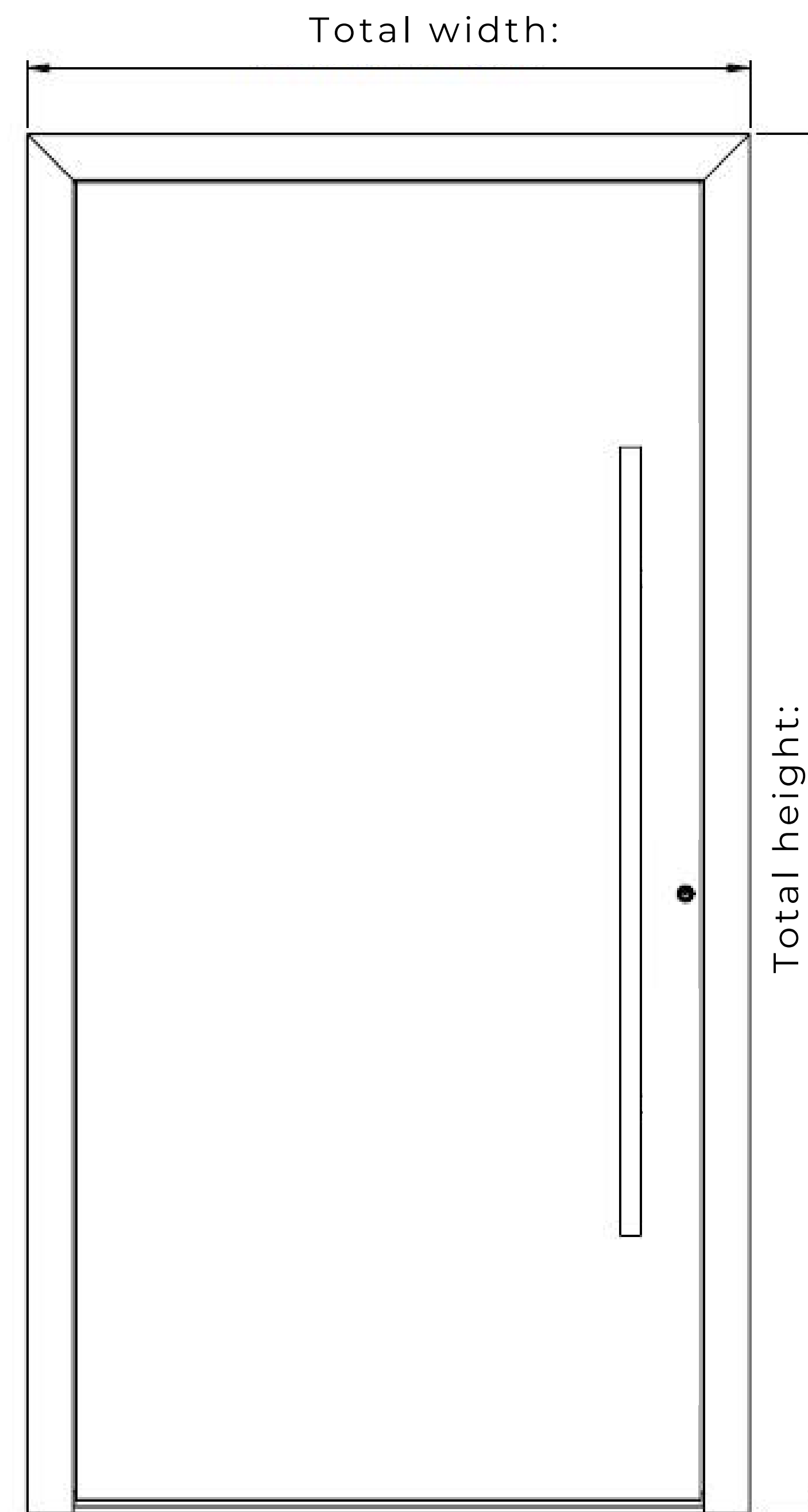
Bespoke dimensions

Total width:

900mm- 1200mm (10mm increment)

Total height:

1900mm- 2500mm (10mm increment)



FITTINGS

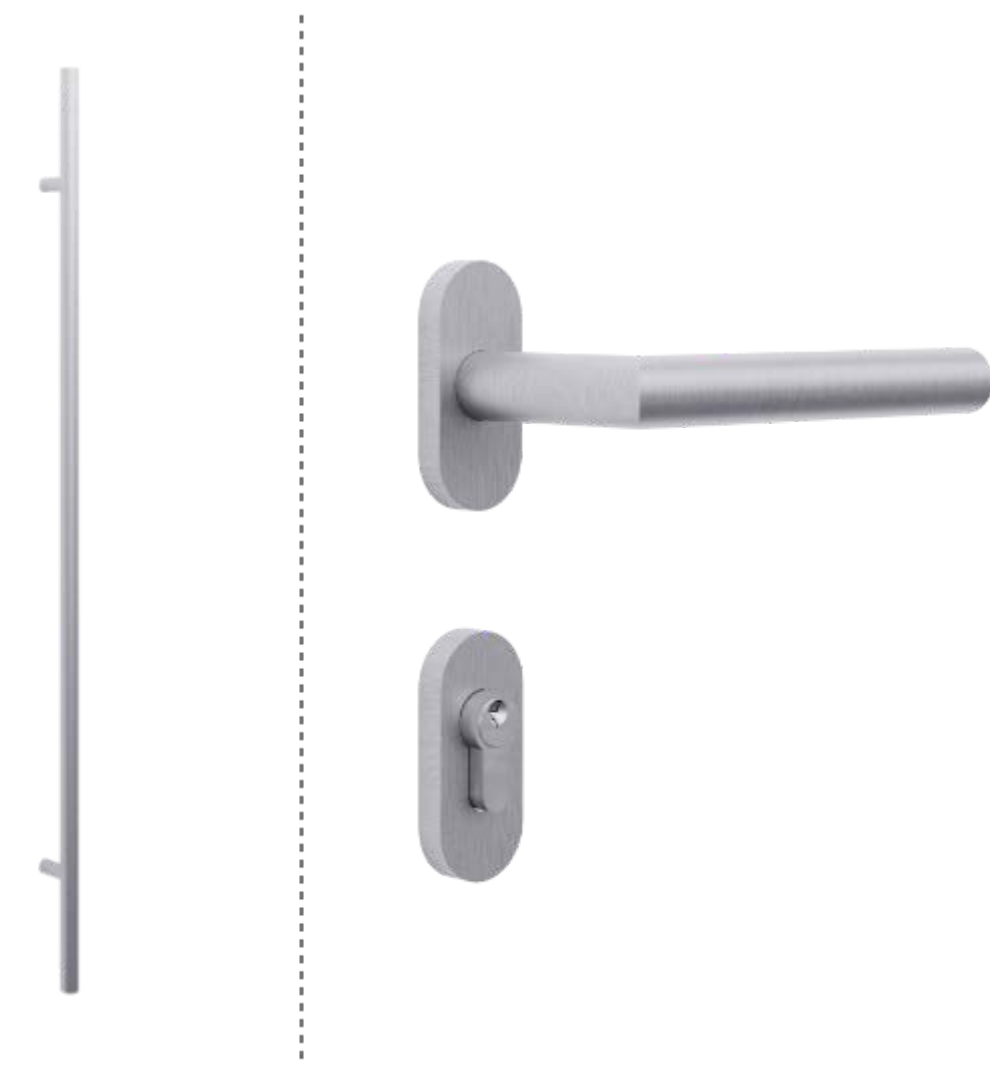
A wide range of fittings to match the modern design.

Fittings in two colour variants - silver and black



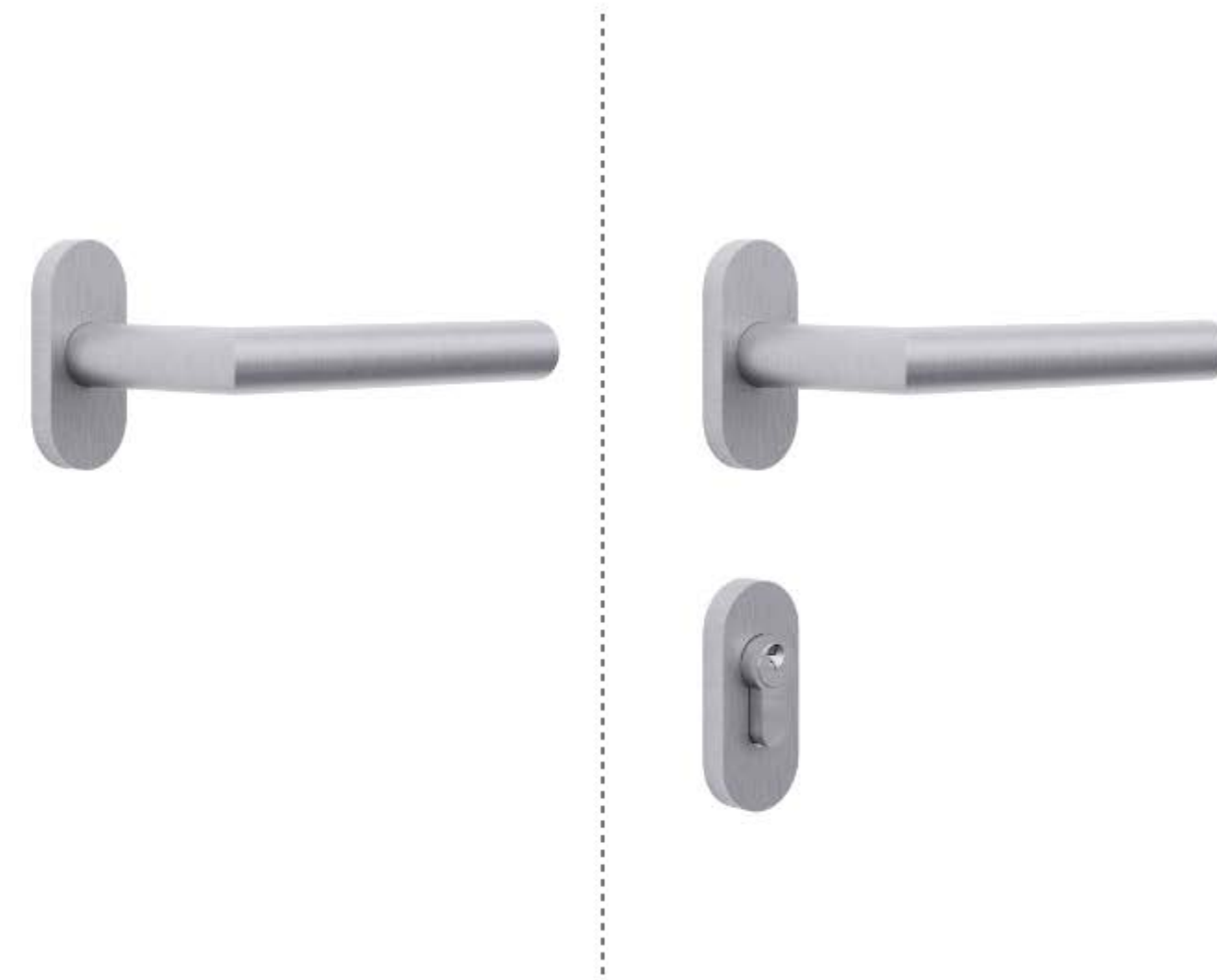
SET 01

160 cm round handlebar
outside -
lever inside



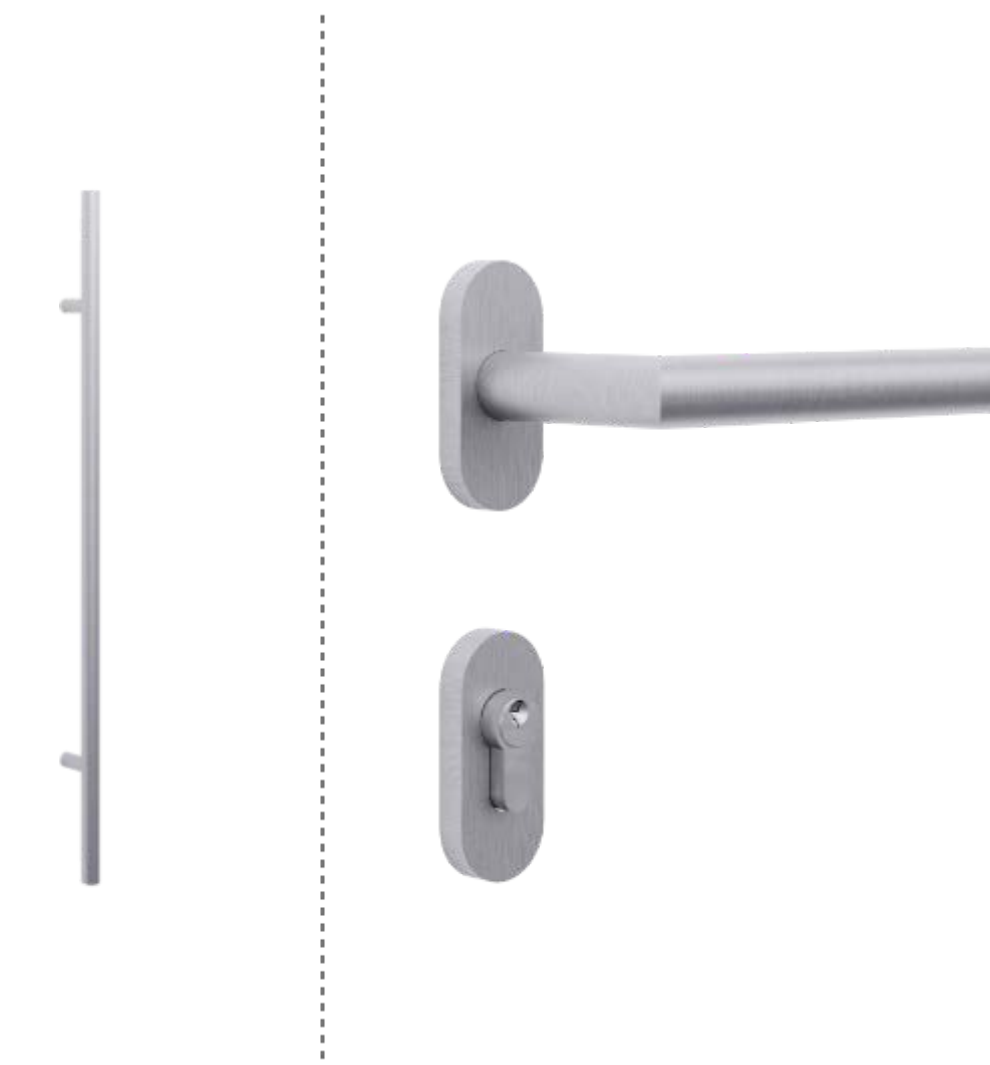
SET 02

Oval lever on both sides



SET 07

120 cm round handlebar
outside -
lever inside



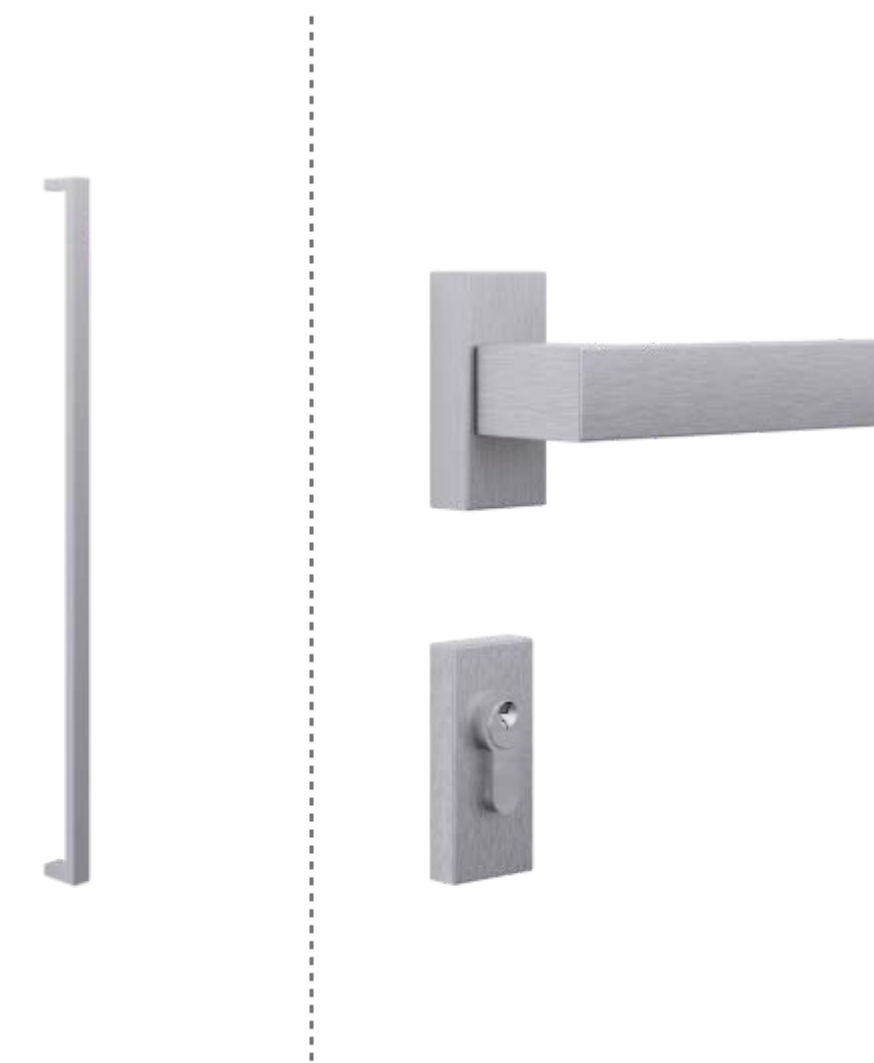
SET 08

160 cm square handlebar
outside -
lever inside



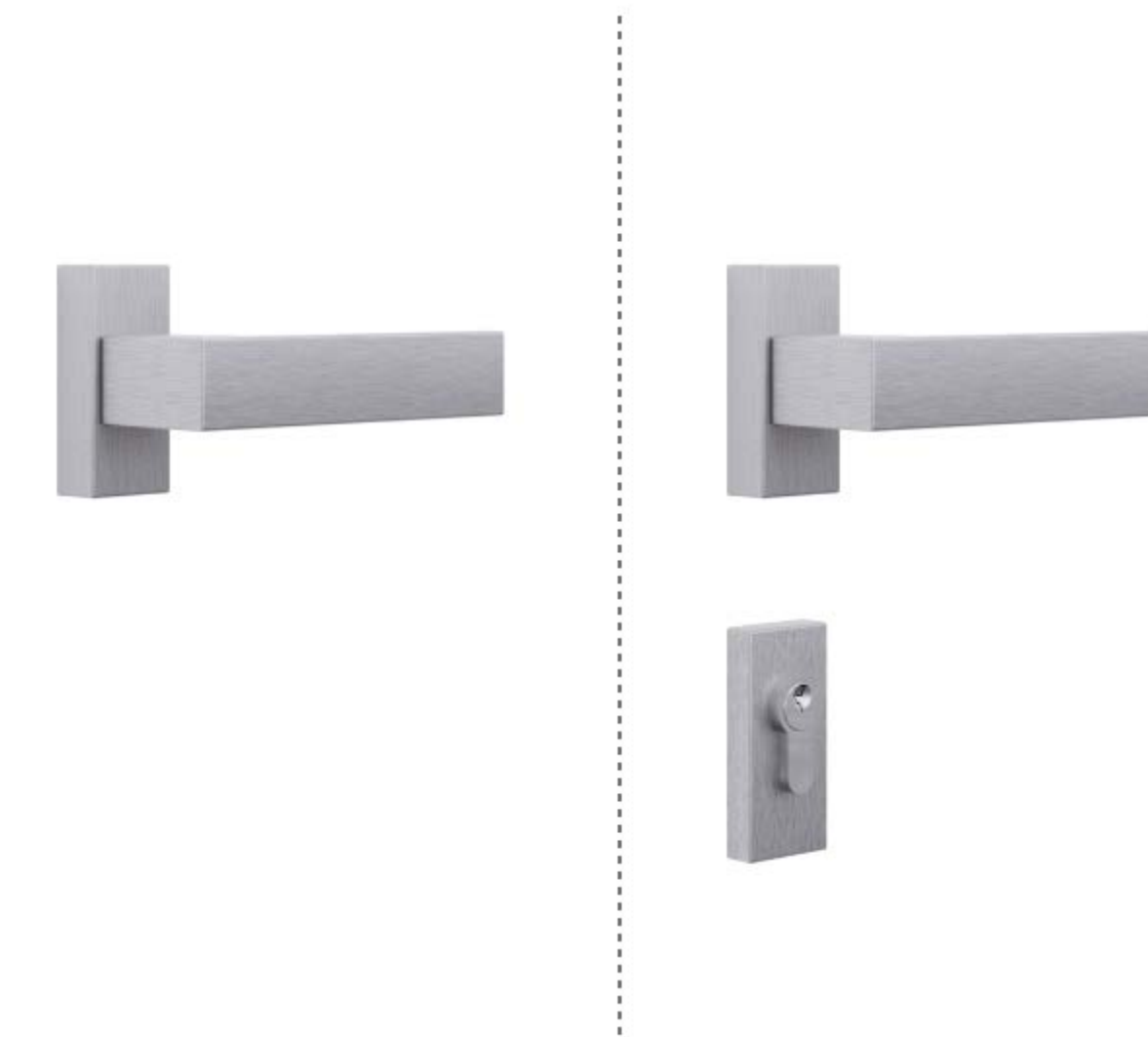
SET 09

120 cm square handlebar
outside -
lever inside



SET 12

Square lever on both sides



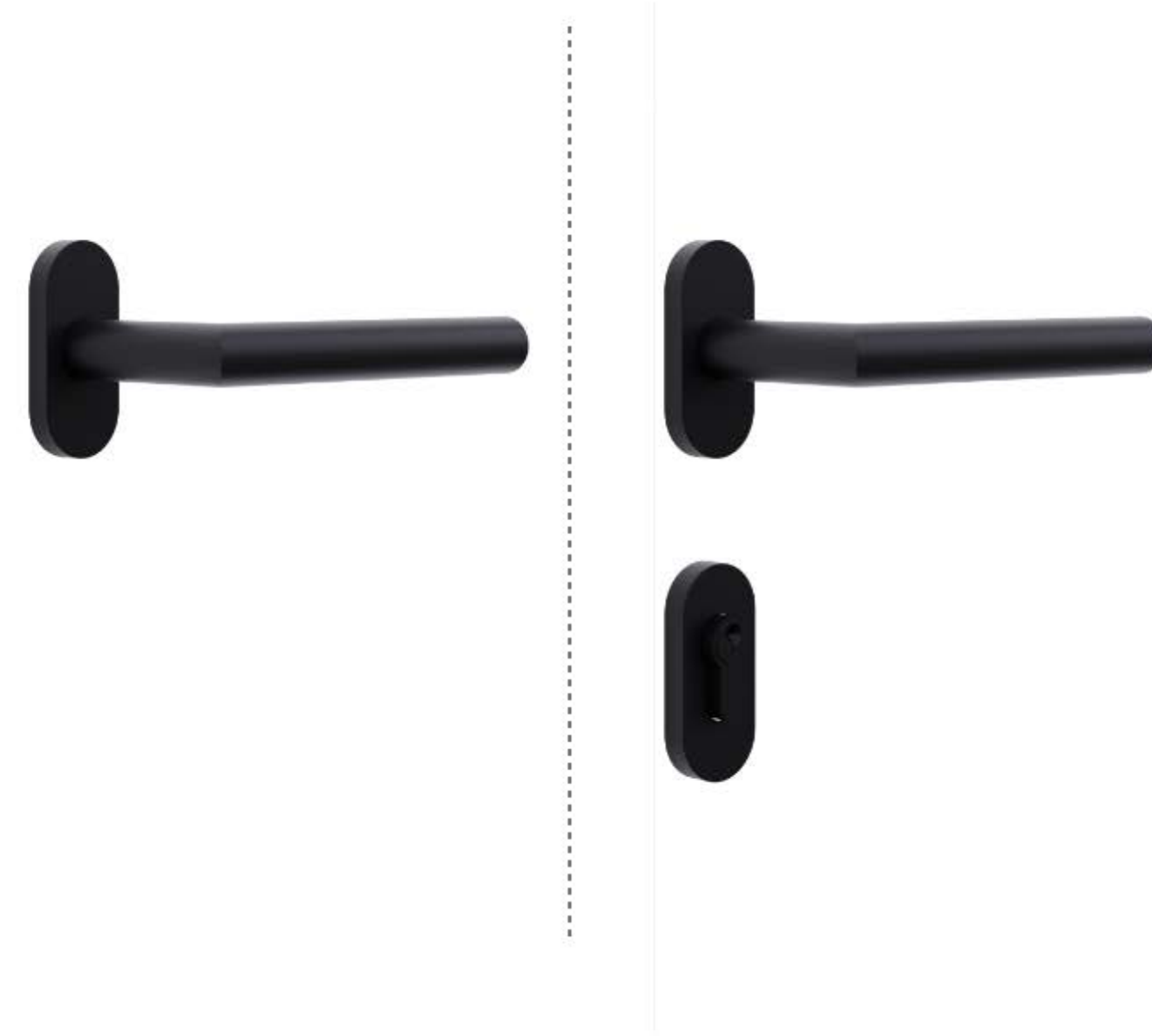
SET 01BL

160 cm round handlebar
outside -
lever inside



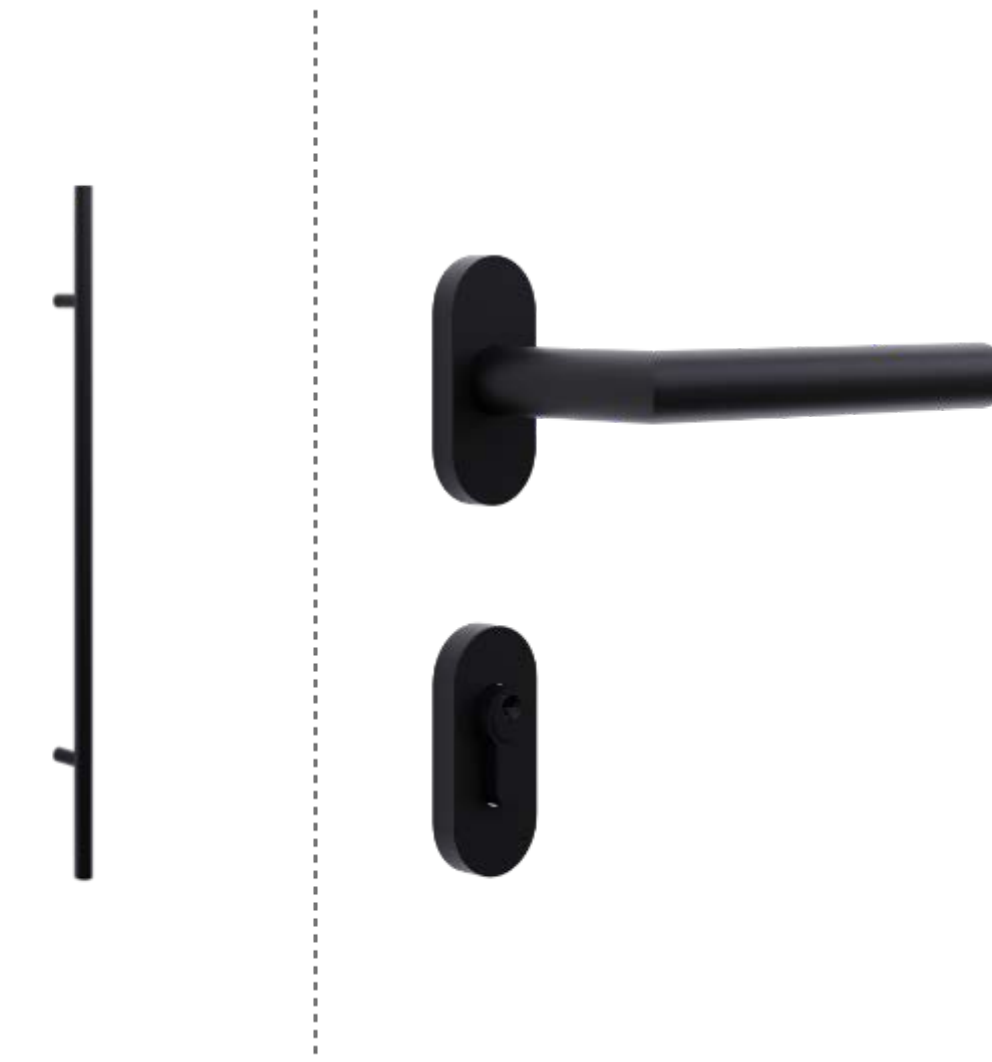
SET 02BL

Oval lever on both sides



SET 07BL

Oval lever on both sides



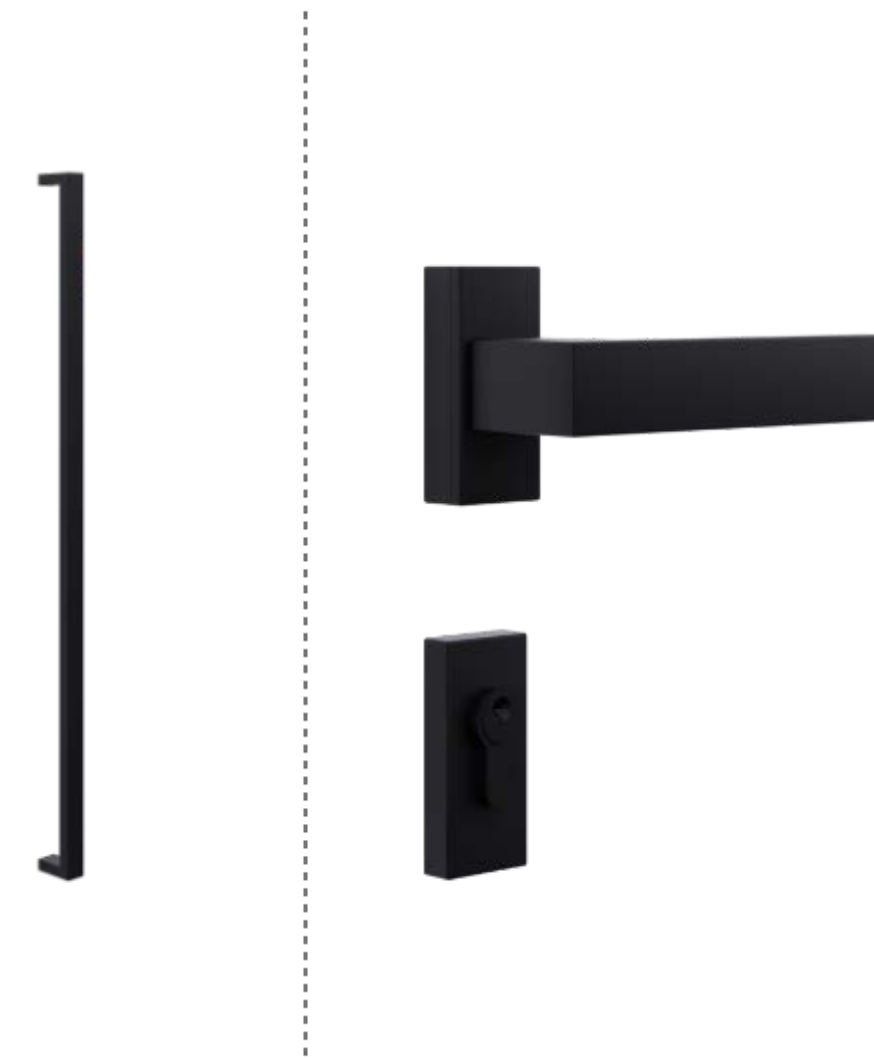
SET 08BL

160 cm square handlebar
outside -
lever inside



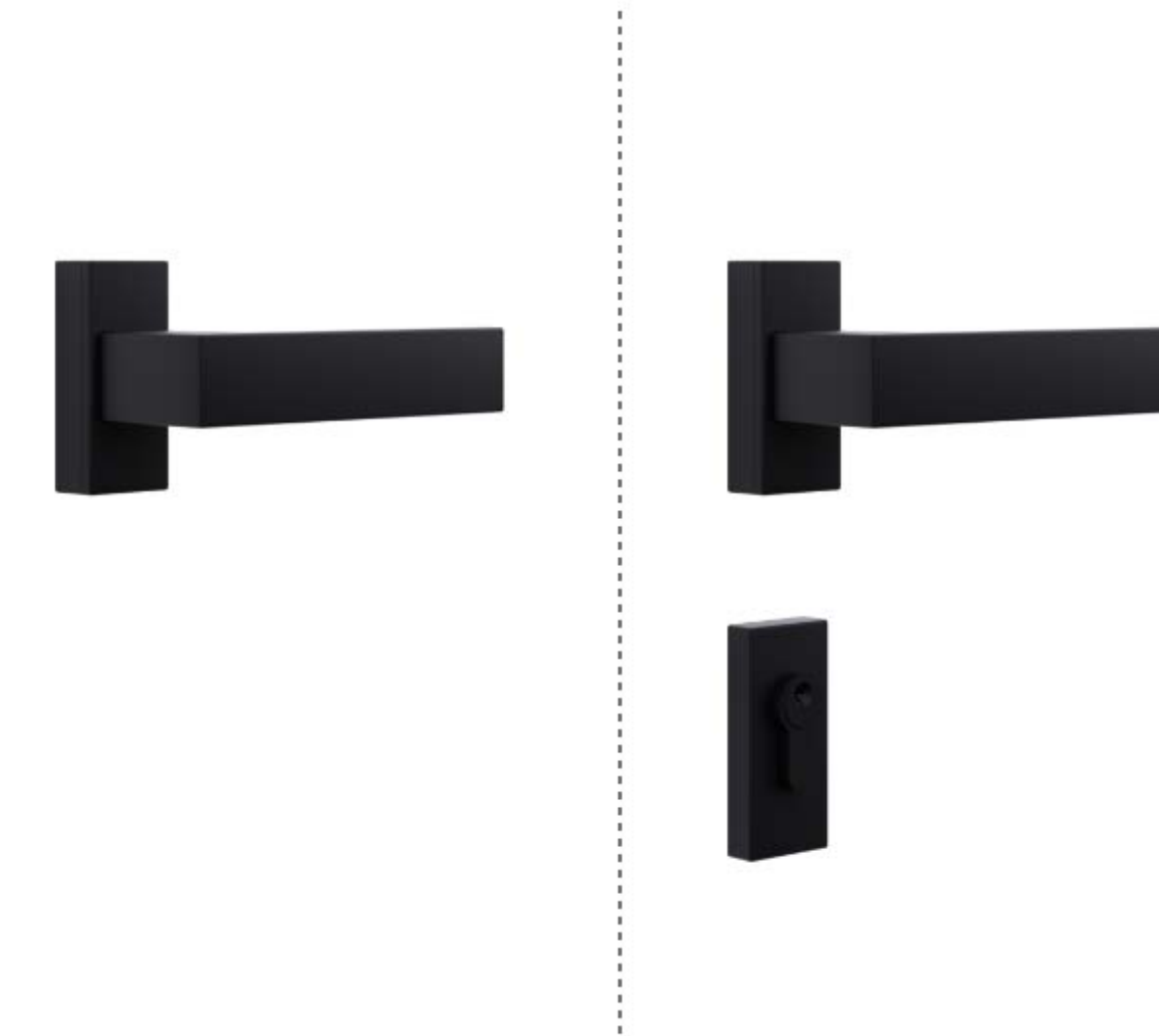
SET 09BL

120 cm square handlebar
outside -
lever inside



SET 12BL

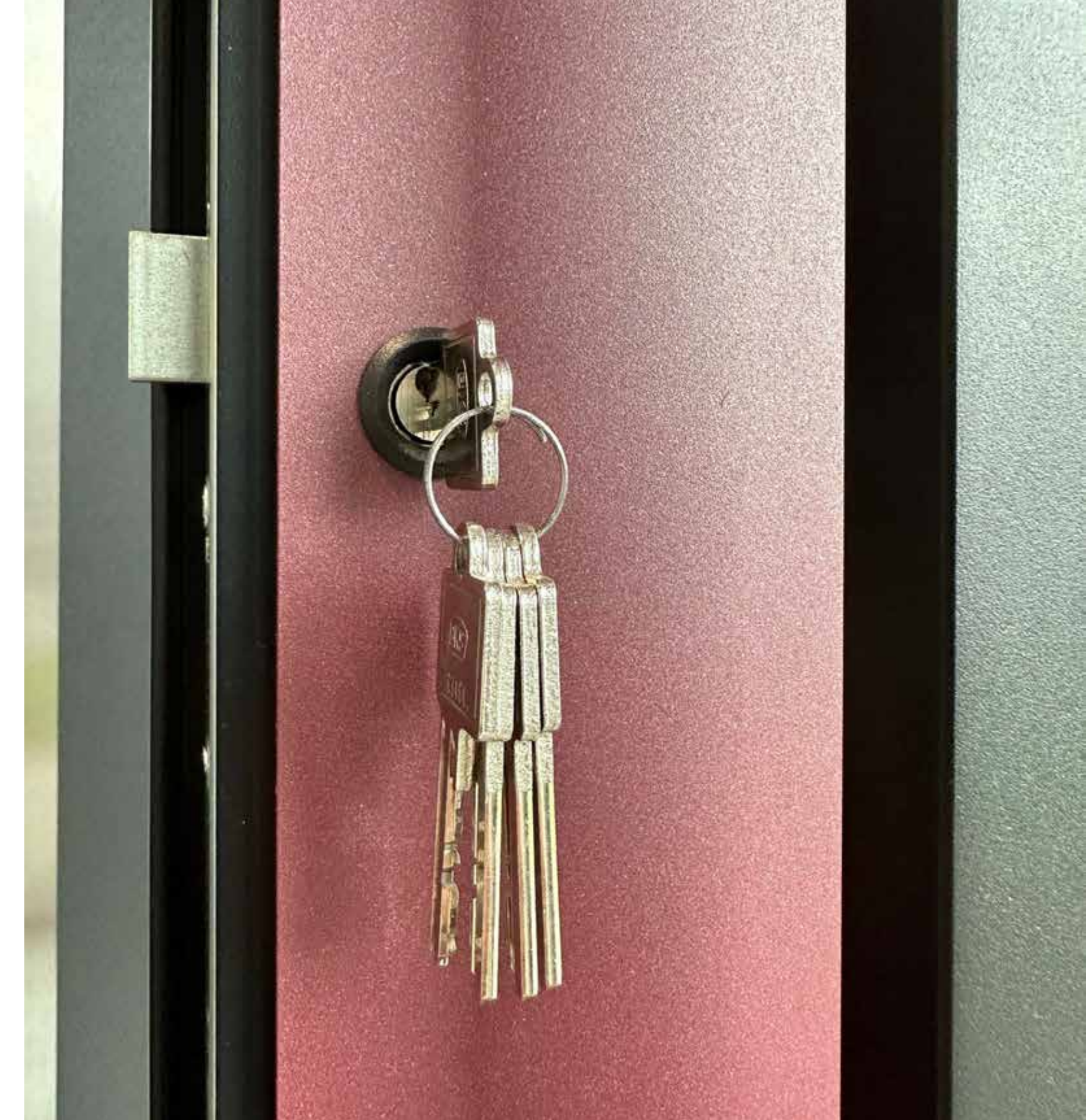
Square lever on both sides



LOCK

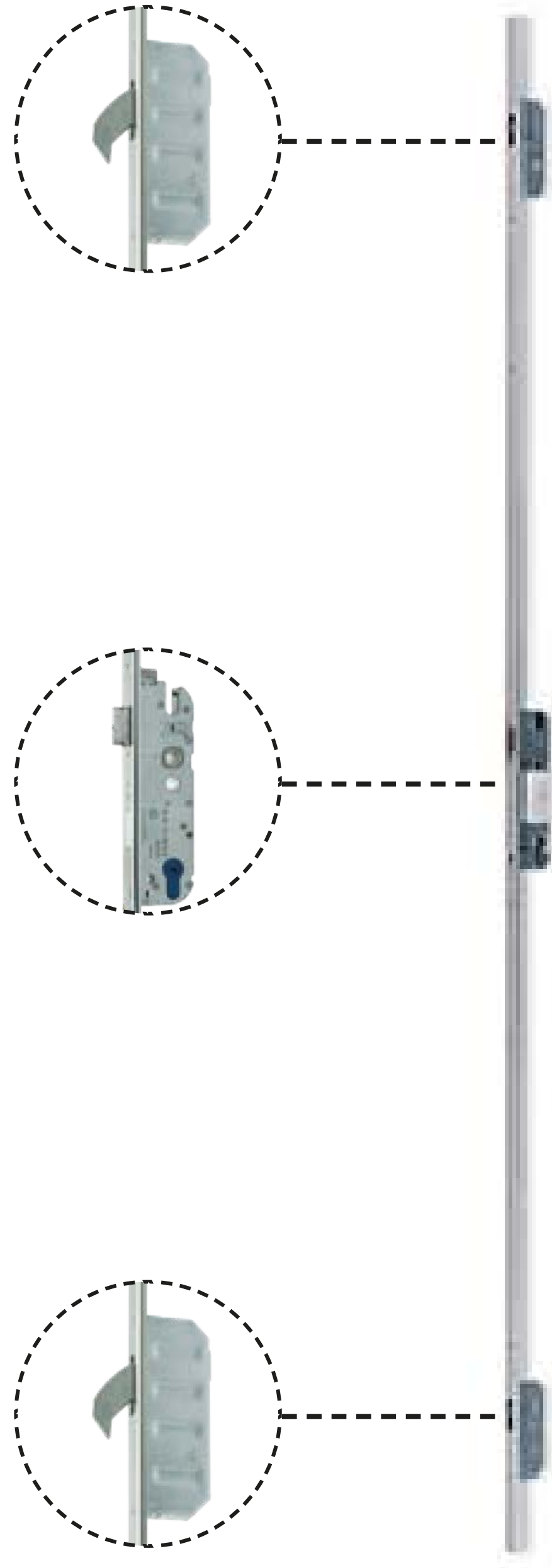
High quality Winkhaus door lock with solid bolts.
Nickel-steel latch and bolts
The solid bolts are engaged by fully turning the they twice in the insert.
safety class 3

Backset/centre dimensions: 92/35
Insert: 35/65 with 5 keys
Insert length: 100 mm

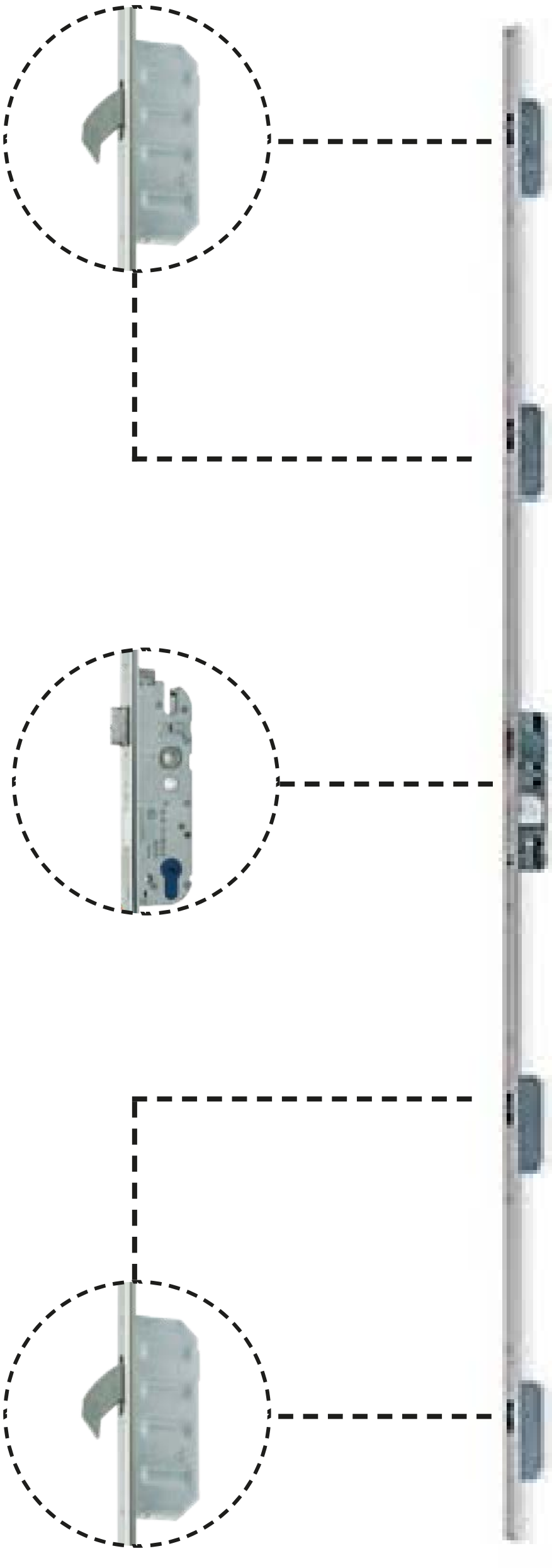


LOCKS

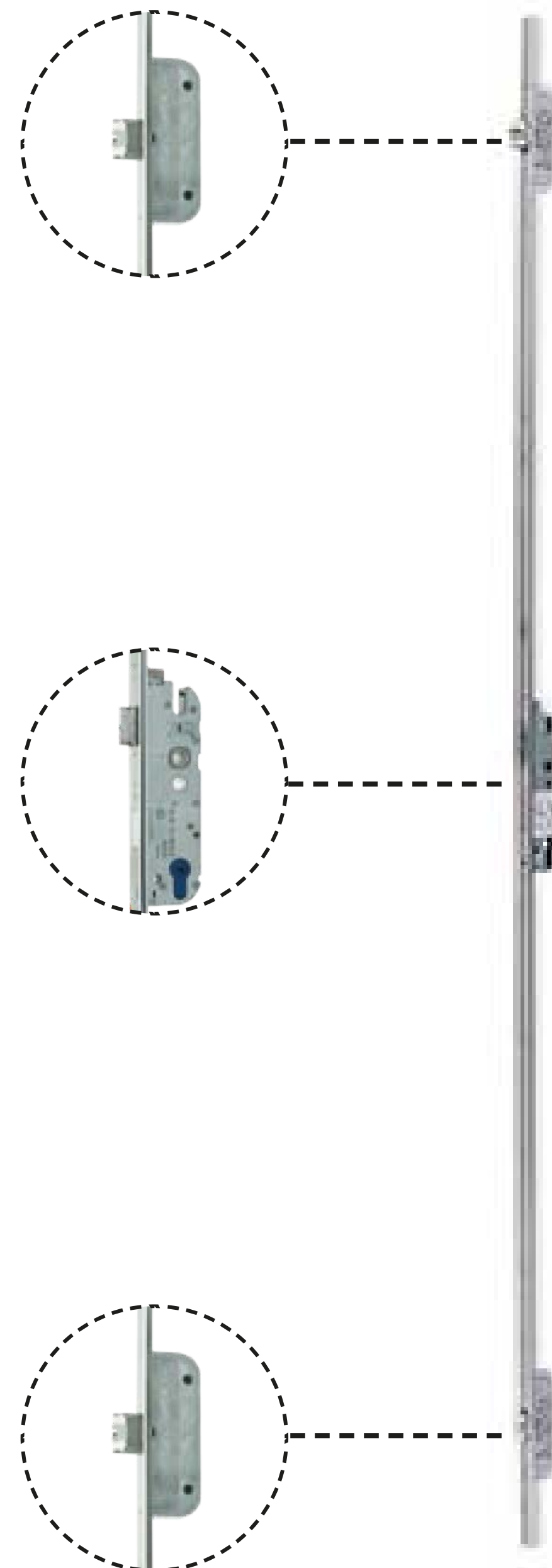
Lock: 3-point Winkhaus



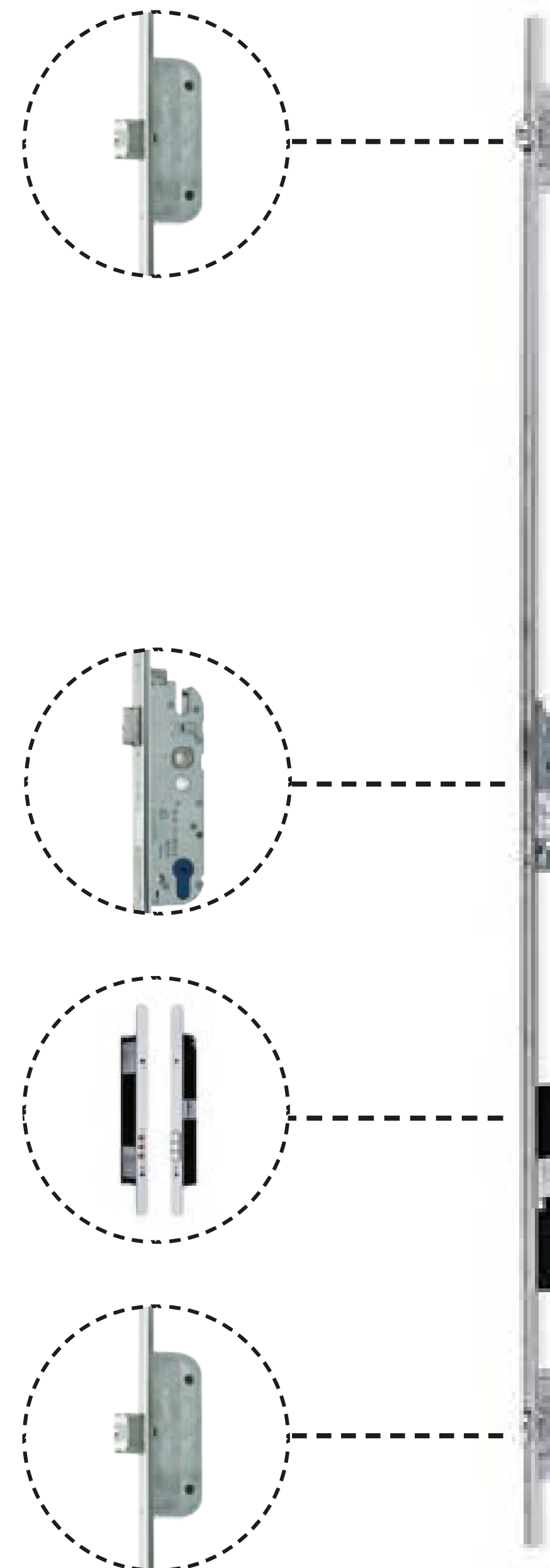
Lock: 5-point Winkhaus



Lock: 3-point GU-automatic



Lock: 3-point GU-automatic SMART LOCK



SOREX Keyboard/wifi/RFID/bluetooth



Ekey xLine



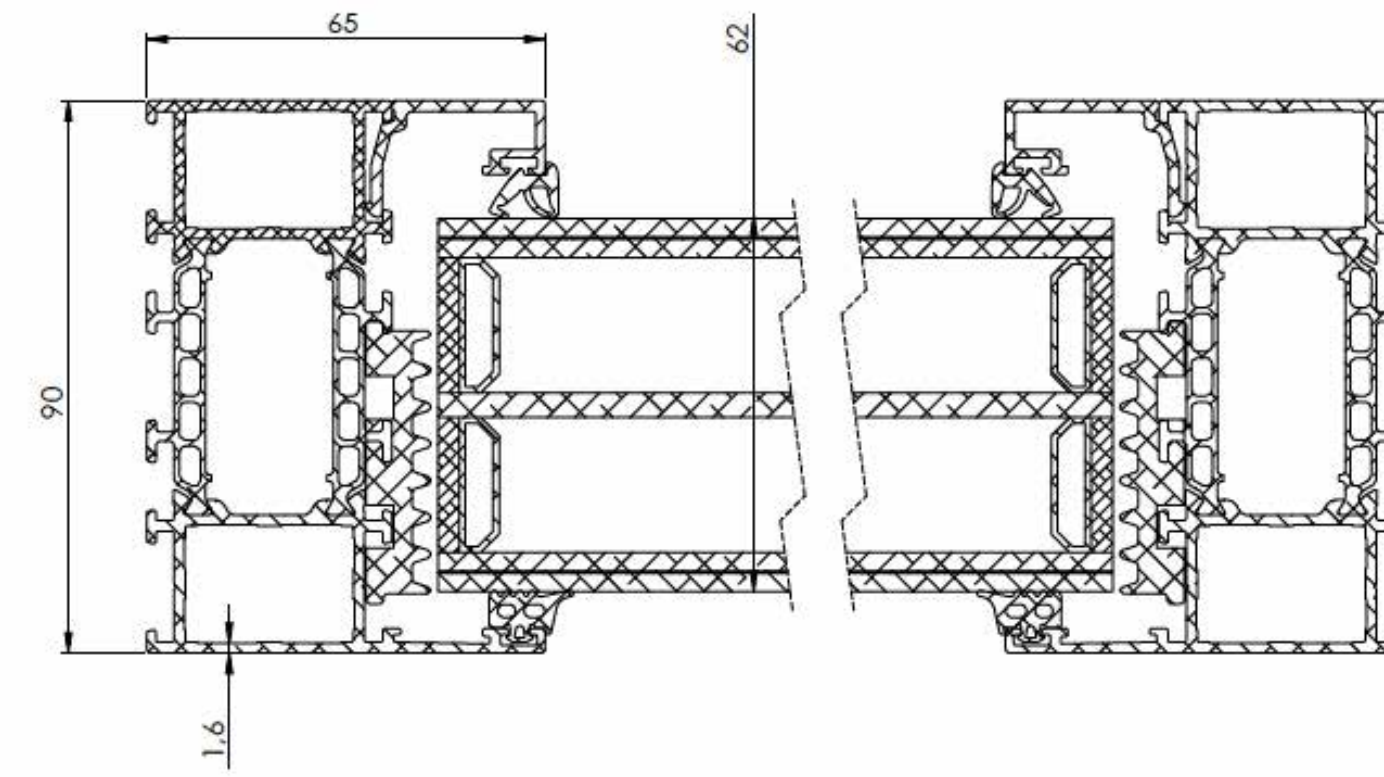
Ekey xLine



SIDELIGHTS

SIDELIGHTS

Apart from its decorative function, the sidelight allows for more natural light to enter, making the inside brighter.



colors: SATINE, GRAPHITE GRAY, REFLEX GRAY

glazing: 3 panes

safety glass: VSG on both sides

bespoke width 300mm - 1200mm (10mm increment)

additional options: upper sidelight up to 1000 mm,
customized sandblasting e.g. house number

HINGES

High quality Wala roller hinges. Their advantages are: a minimalist design, a roller in the colour of the door, independent and smooth adjustment without having to remove the leaf.

Type: Roller hinge

Number: 3 pcs.

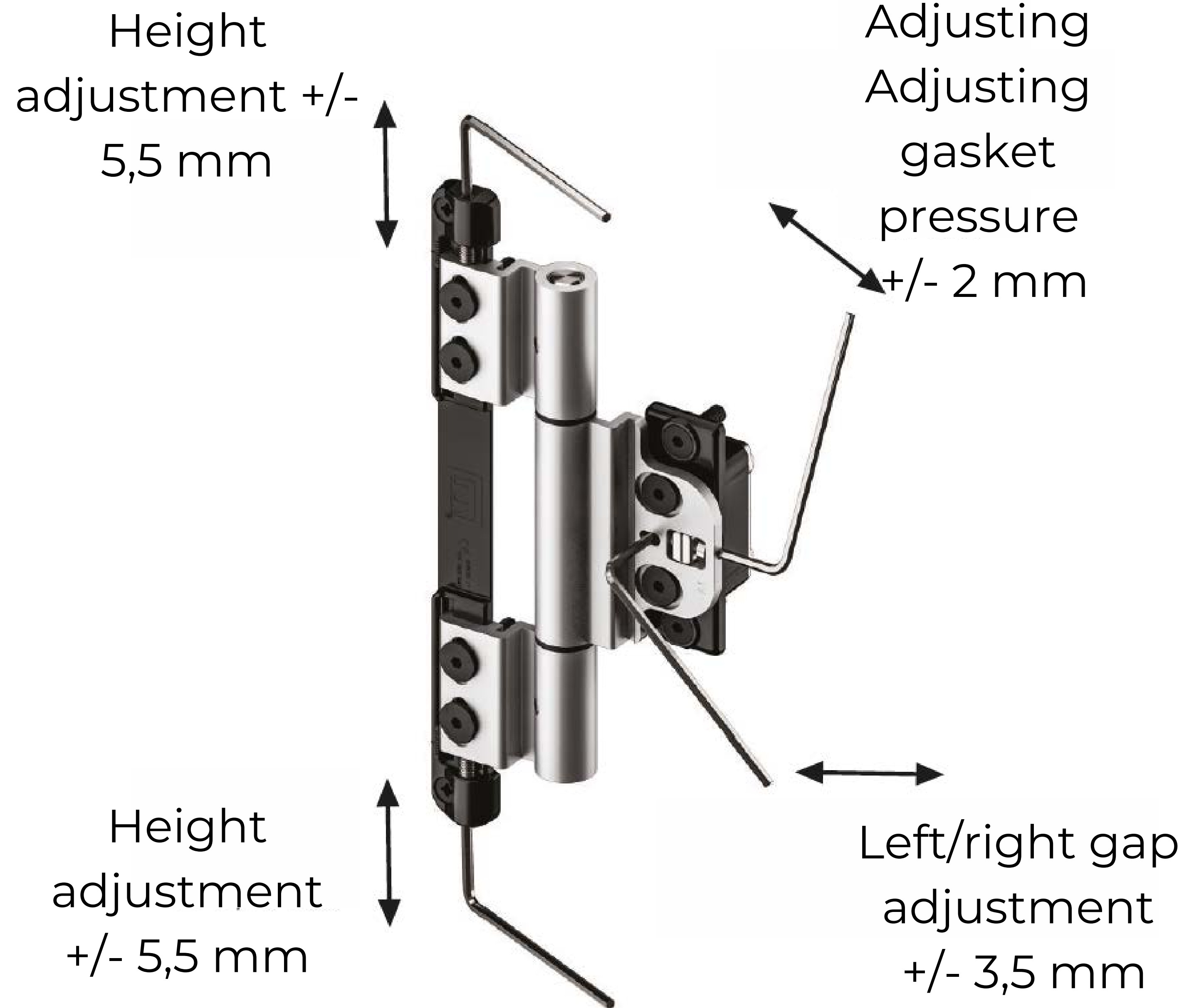
Adjustment: 3 directions

COLOR: same as the door leaf

COROSION RESISTANCE 4/4

ANTI-BURGLAR RESISTANCE 1/1

HINGE DIAMETER 20.7 mm



CONCEALED HINGES

Concealed hinges have a completely different design than standard surface or roller hinges. They are mounted in the door jamb. This creates the effect of a flush surface.

When the door is closed, the hinges are not visible from either the inside or the outside.

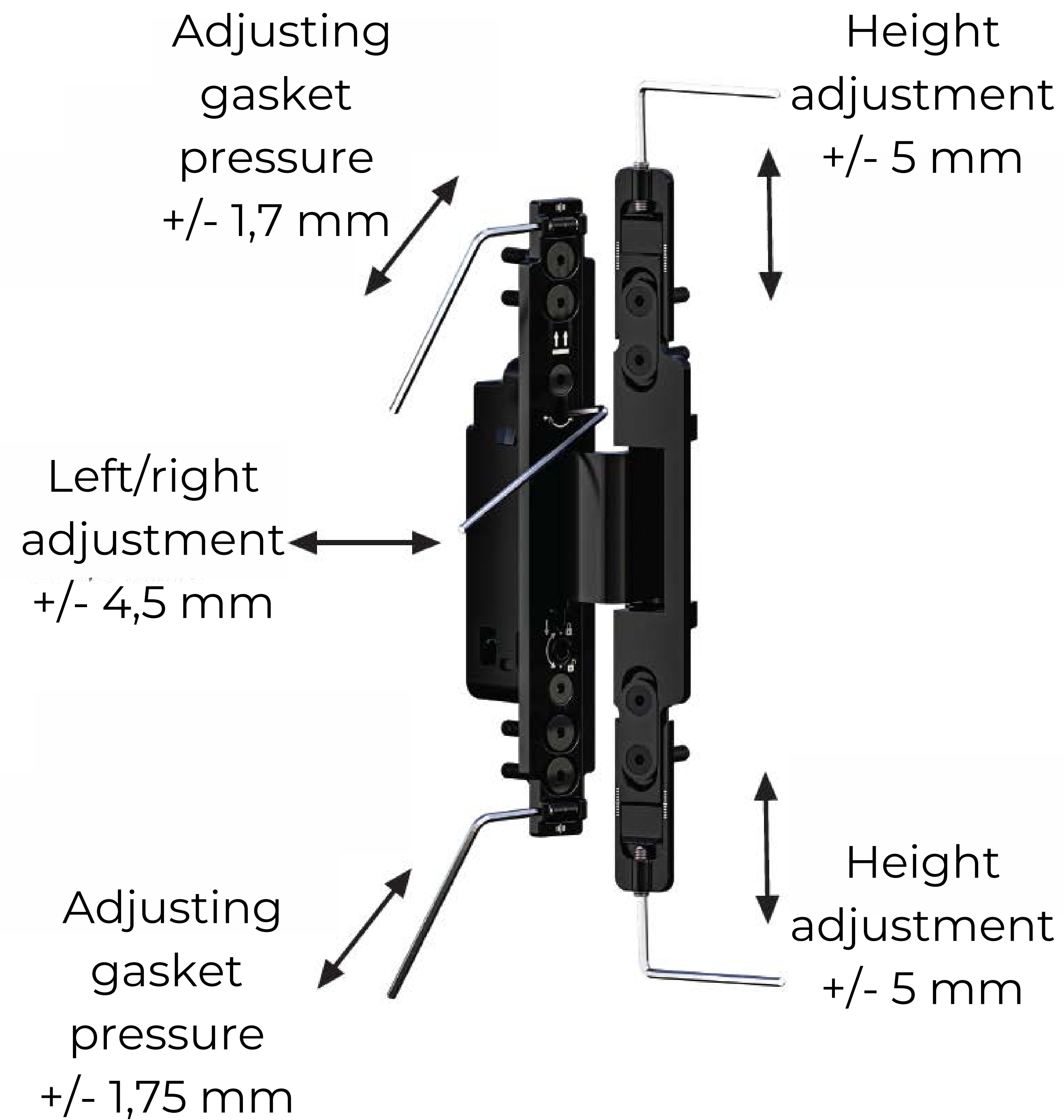
Type: WALA concelead hinge

Number: 3 pcs.

ADJUSTMENT: 3 directions

COROSION RESISTANCE 4/4

ANTI-BURGLAR RESISTANCE 1/1



Additional options available:

kickplate for models: 00, 02, 20, 22; sandblasting for models: 01, 04, 08, 09, 14, 15



Electric strike; 5 key insert with anti-panic function, insert with with thumb turn



threshold insulation: xps; letterplate; cill



Order: 1 pcs.

Door packaging: cardboard box

Pallet – 12 pcs.

P90 door weight (depending on the dimension):

from 51 to 95 kg

P90 pallet weight: from 612 kg to 1140 kg

Full pallet height: 200 cm

Pallet dimensions: 220 cm x 120 cm lub 240 cm x 120 cm

PACKAGING



Pallet – 12 pcs.

Full truck – 12 pallets – 144 pcs.

Optional: dropshipping for an extra charge