

TÜRENWERKE

BASIC LINE



STEEL-ALUMINIUM
DOORS

ATU68

USAGE

Doors widely used in single-family homes. The series is available in various sizes and six models.

Each of them is available in 4 color versions and blackline.

01

ANTHRACITE

03

WALNUT

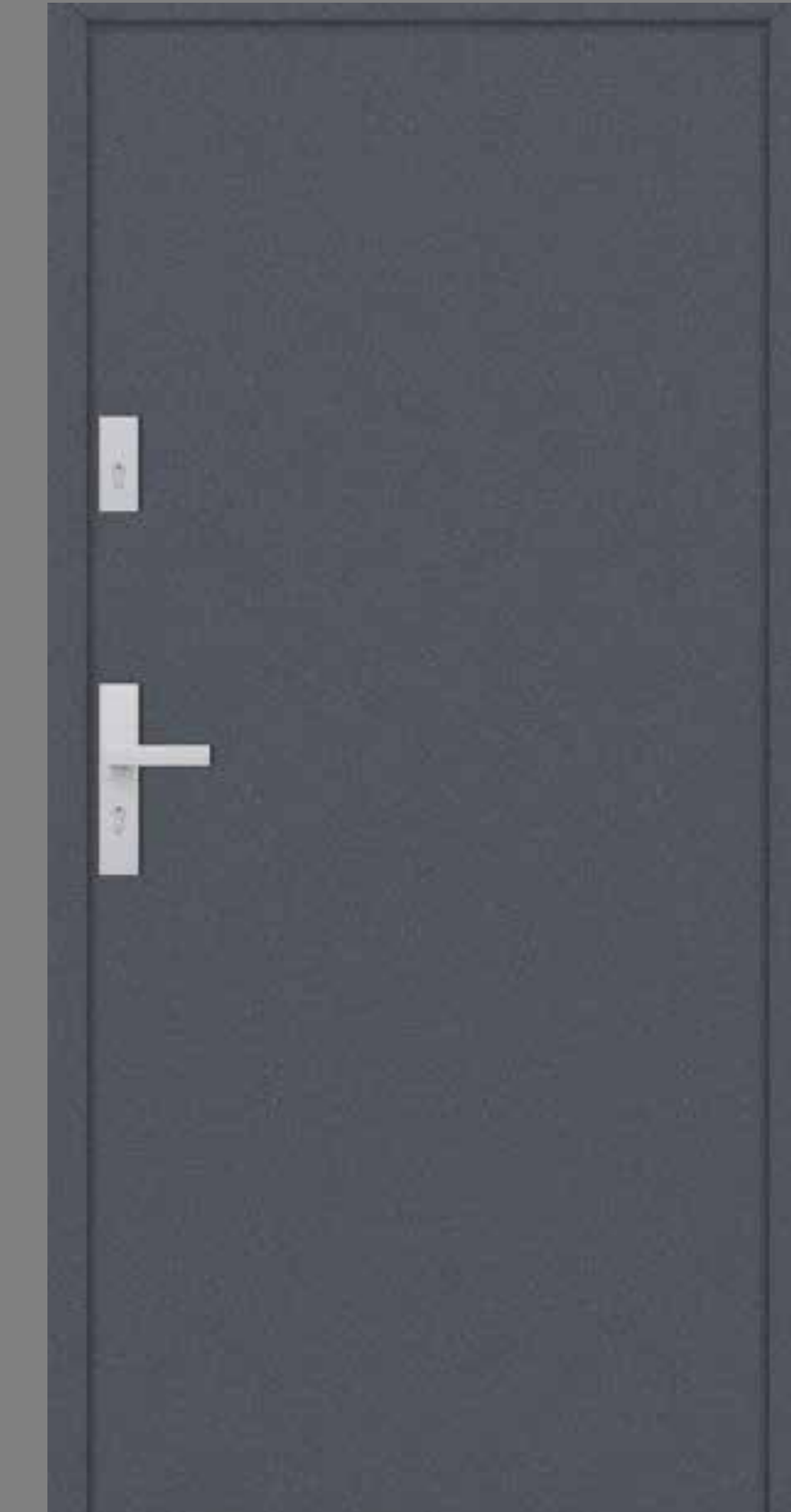
02

WHITE

03

GOLDEN OAK

ANTHRACITE



WHITE



WALNUT



GOLDEN OAK

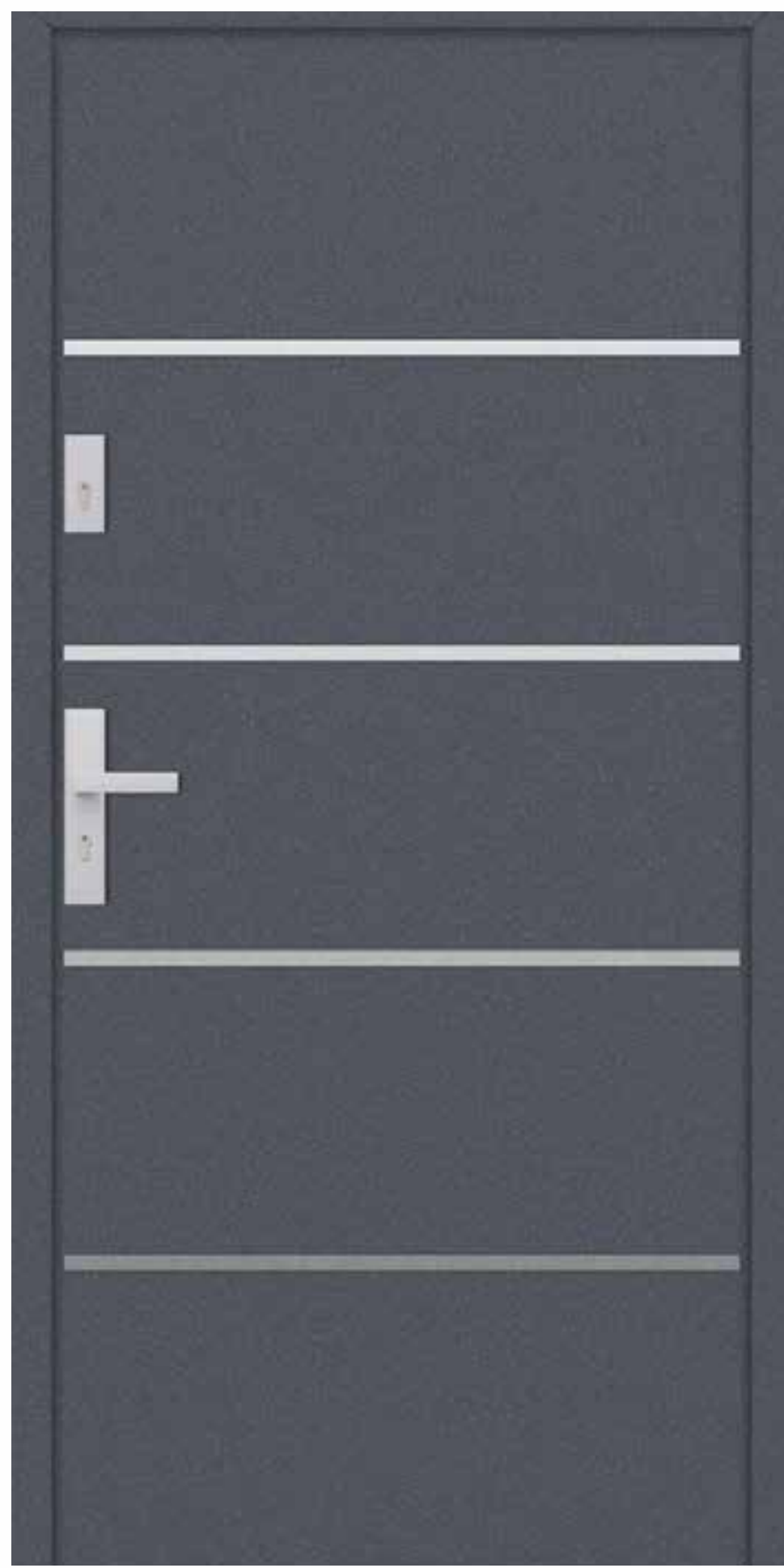


MODELS

MODEL 501



MODEL 502



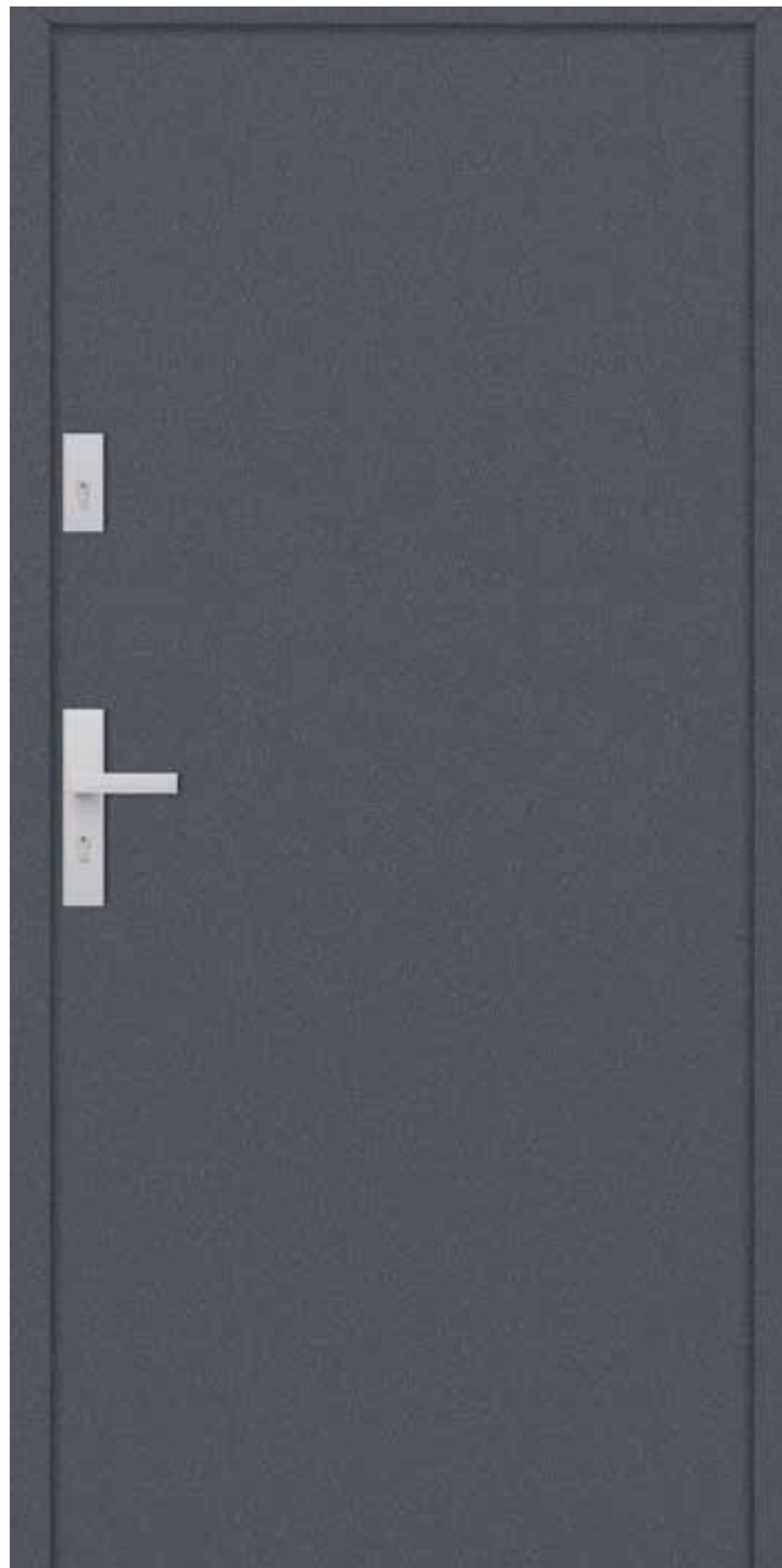
MODEL 504



MODEL 505



MODEL 507



MODEL 514



MODELS

MODEL 501



MODEL 502



MODEL 504



MODEL 505



MODEL 507



MODEL 514



MODELS

MODEL 501



MODEL 502



MODEL 504



MODEL 505



MODEL 507



MODEL 514



MODELS

MODEL 501



MODEL 502



MODEL 504



MODEL 505



MODEL 507



MODEL 514



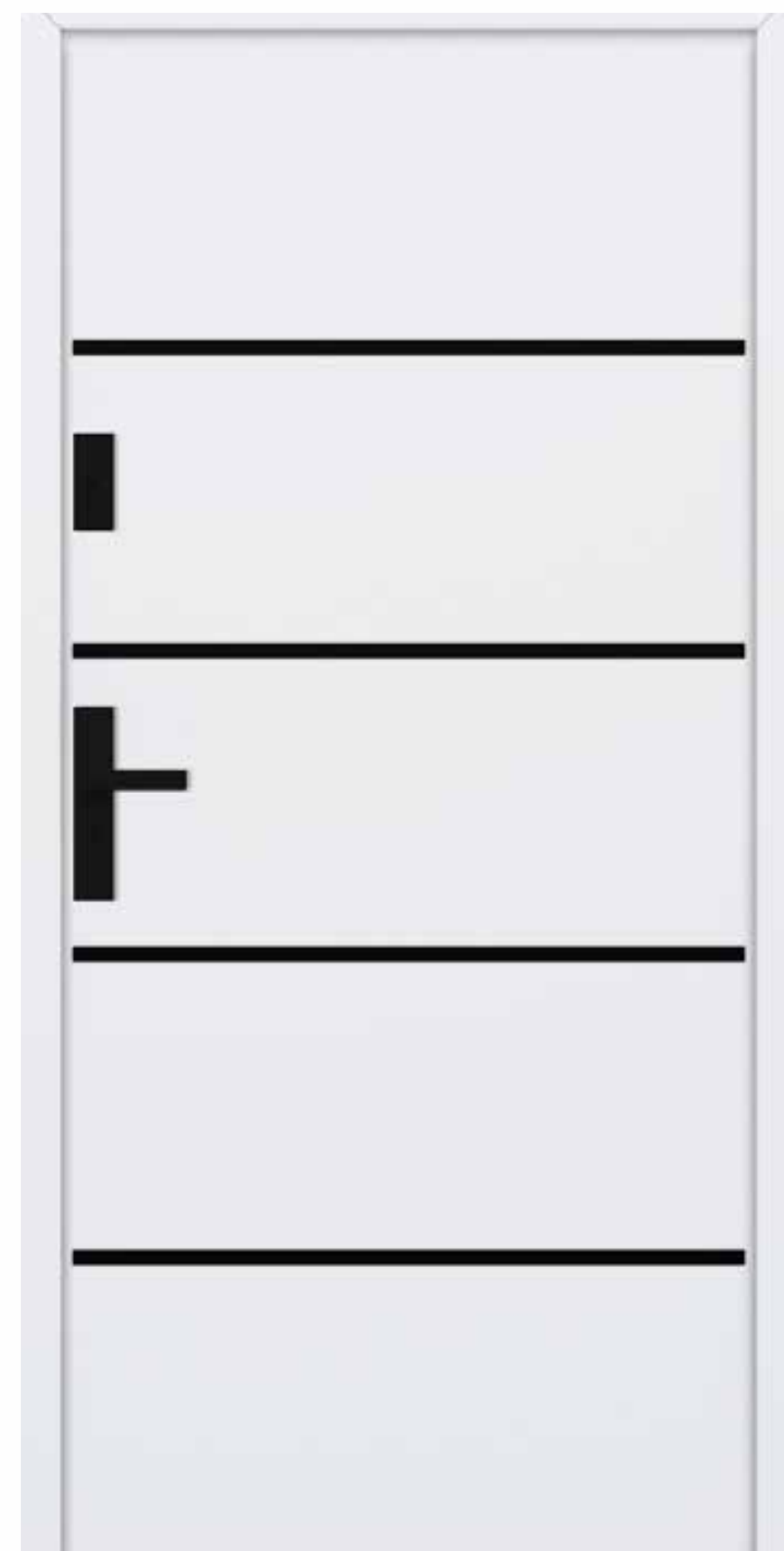
BLACKLINE

MODEL OVERVIEW

MODEL 521



MODEL 522



MODEL 524



MODEL 525



MODEL 527



MODEL 534



GLAZING

Glazing available for models: 501, 504, 505, 514, 521, 524, 525 oraz 534

Glazing: 3 panes

Safety glass: ESG, warm edge spacers

Glass colors: SATINE, GRAPHITE GRAY, REFLEX GRAY



SATINE



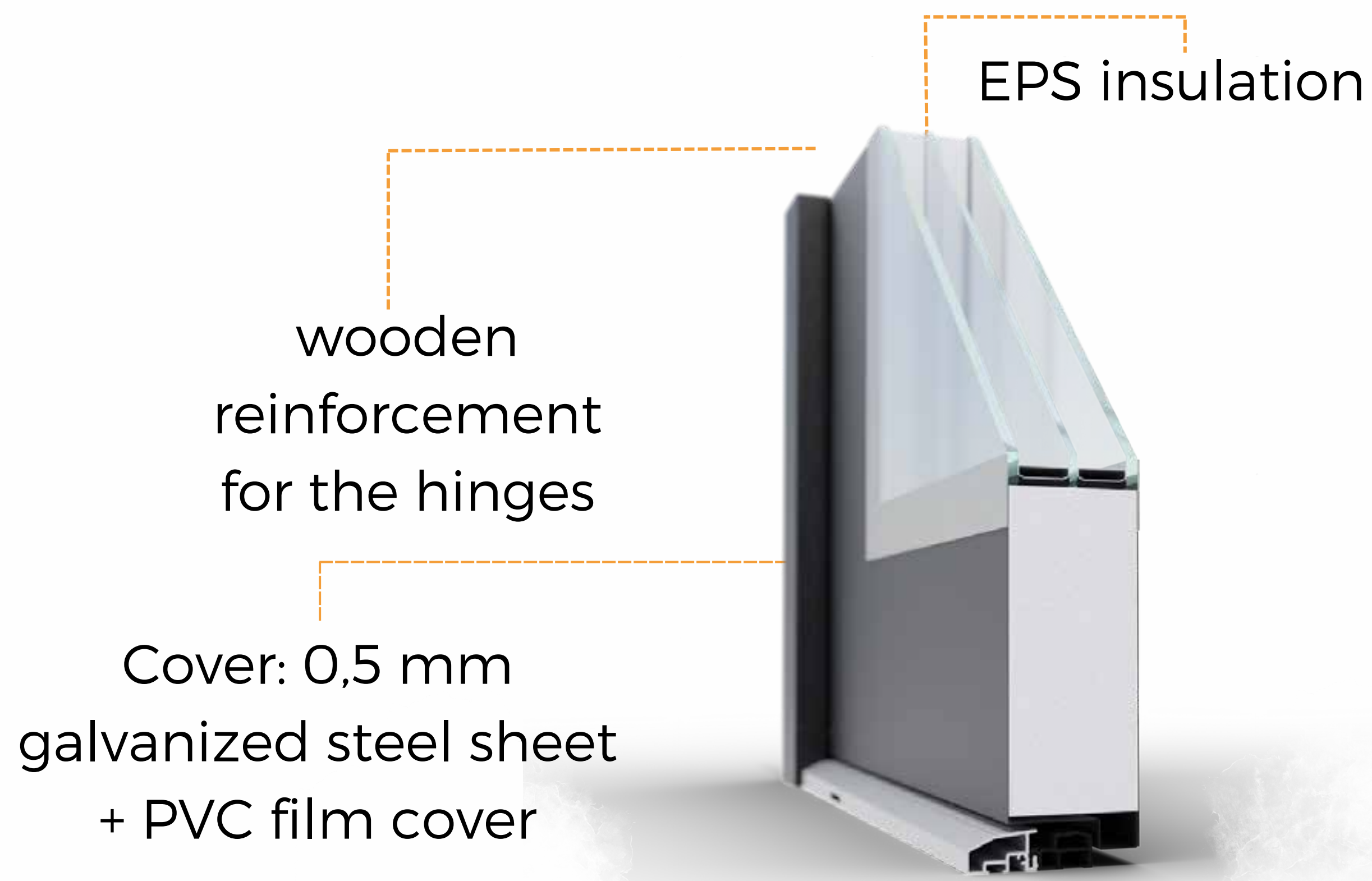
GRAPHITE GRAY



REFLEX GRAY

ATU68

CROSS SECTION



2-piece 64 mm aluminium + ABS threshold



additional frame insulation

hinge bolts - 3 pcs.



mortise lock with three bolts



mortise lock with three bolts



68 mm thick door leaf

70 mm symmetric aluminium frame average wall thickness cca. 1,5 mm

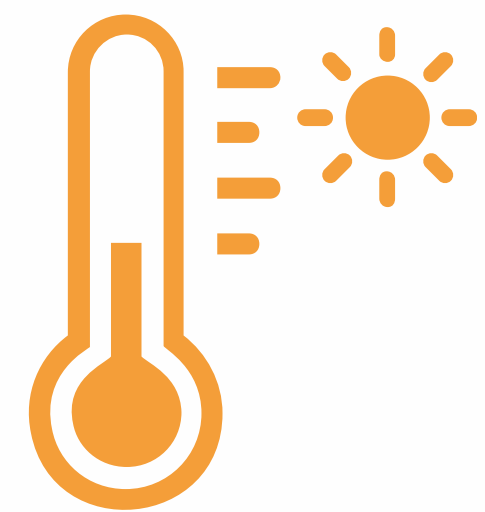
3-pane glazing

3-pane glazing

3-pane glazing



TECHNICAL INFORMATION



Heat transfer coefficient

FULL PANEL DOOR

Ud= 1,1 W/m²K

DOOR WITH GLAZING

Ud= 1,2 W/m²K

ATU 68

Declared performance of the product intended for building purposes

Essential characteristics	Performance	Harmonized standard
Resistance to wind loads	Klasa C2	PN-EN 14351-1+A2:2016-10
Waterproofness	NPD Otwierane do wewnątrz Klasa 3A Otwierane na zewnątrz	
Air permeability	Klasa 4	
Heat transfer coefficient	Ud= 1,1 W/m ² K Drzwi pełne Ud= 1,3 W/m ² K Drzwi przeszklone	
Heat transfer coefficient for the reference dimension (1230 mm x 2180 mm)	Ud= 1,1 W/m ² K Drzwi pełne Ud= 1,2 W/m ² K Drzwi przeszklone	
Solar radiation characteristics Solar radiation factor (g)	NPD	
Dangerous substances	None	
Impact resistance	Class 1	

T68 4P AT technical documentation



Resistance to wind loads

CLASS C2



Waterproofness

OUTWARD OPENING DOOR

CLASS 3A

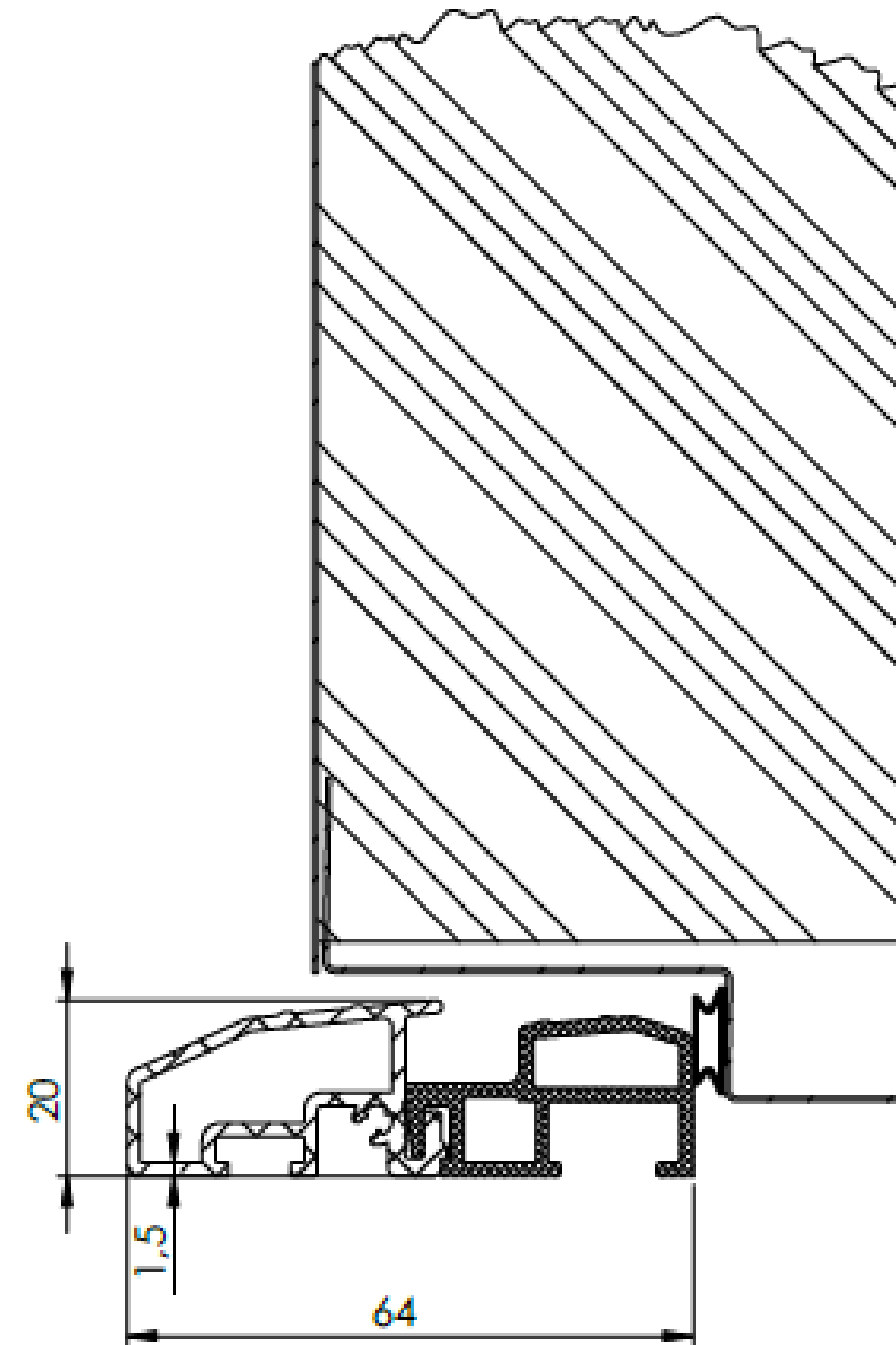
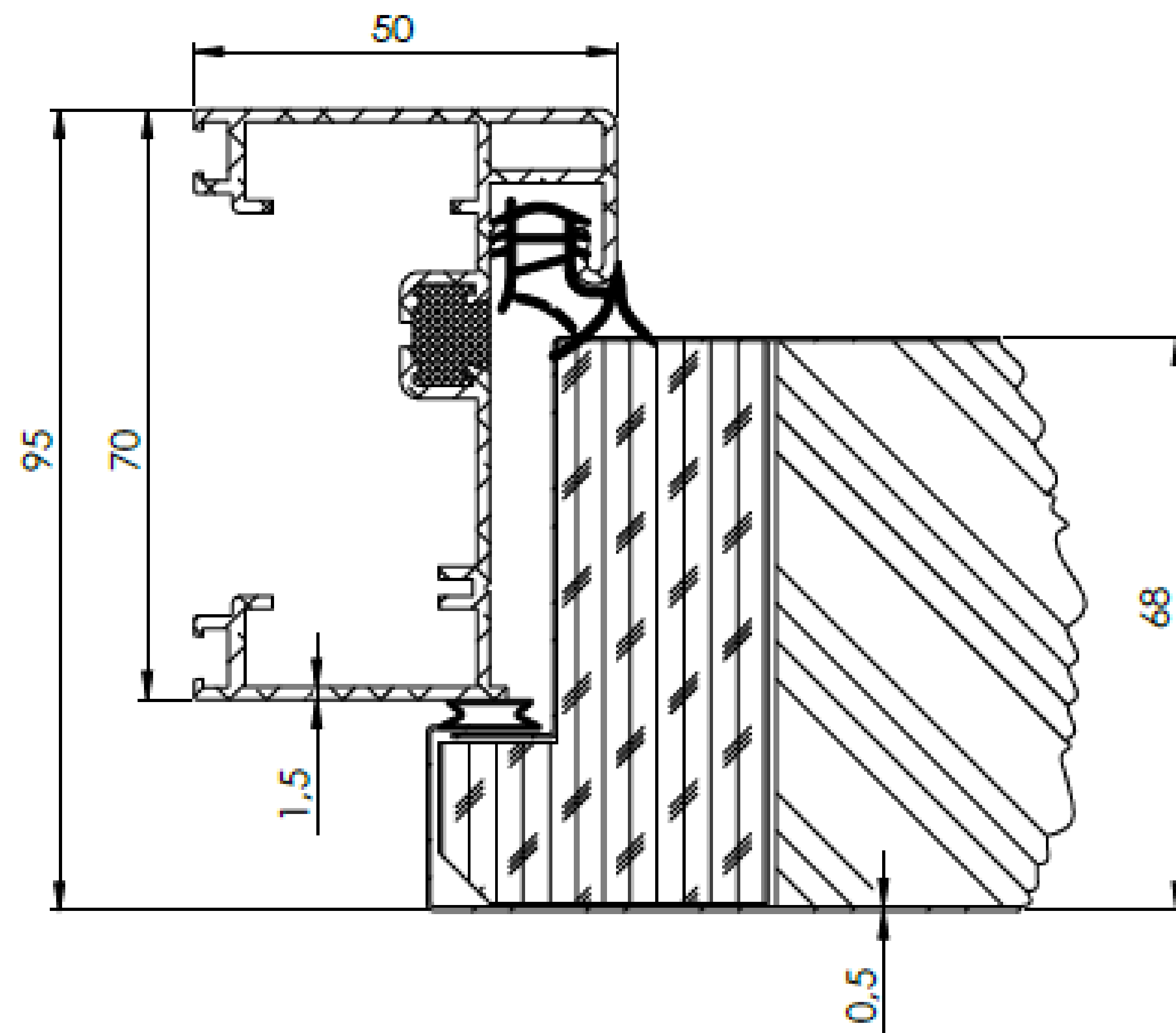


Air permeability

CLASS 4

TECHNICAL INFORMATION

ATU68



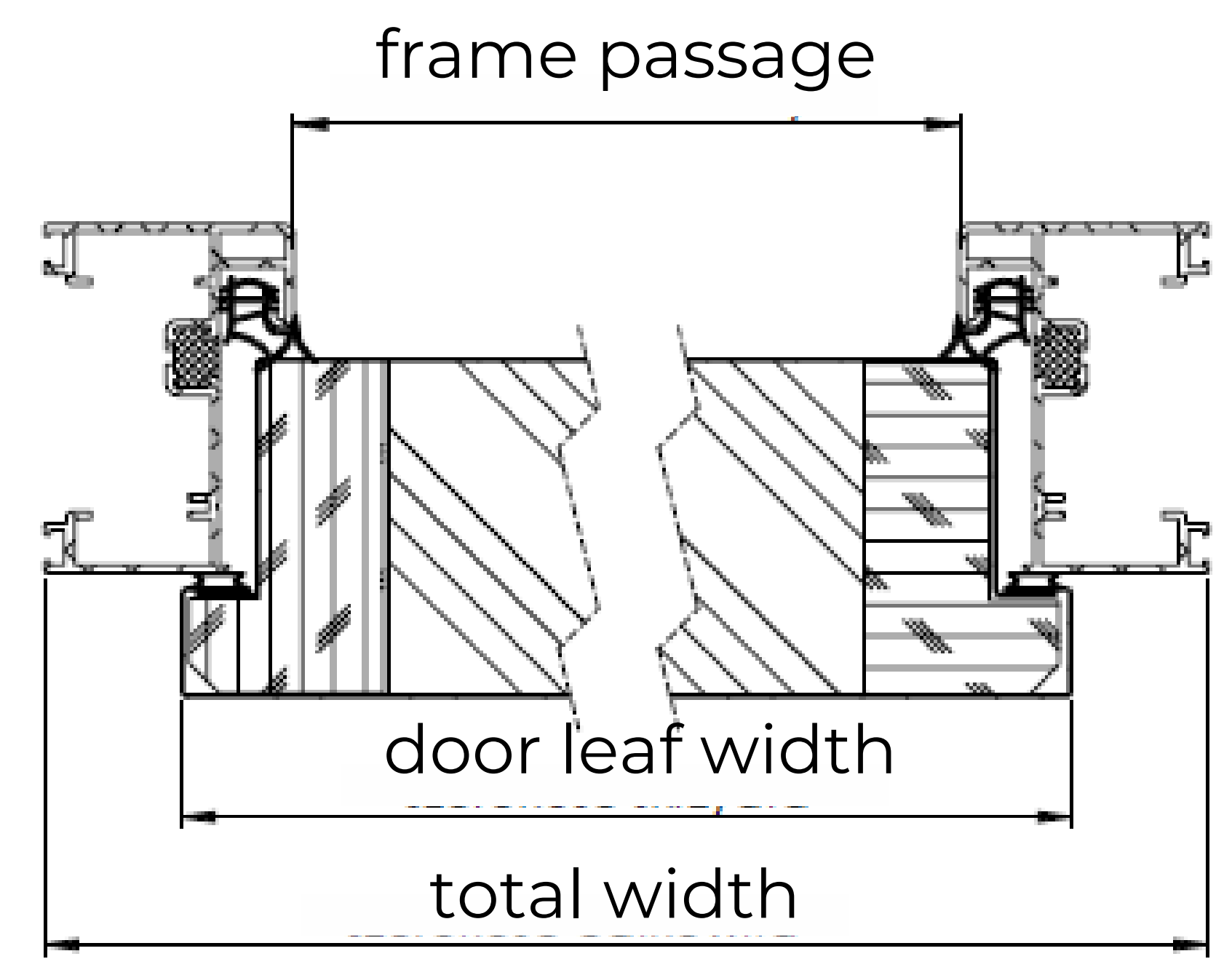
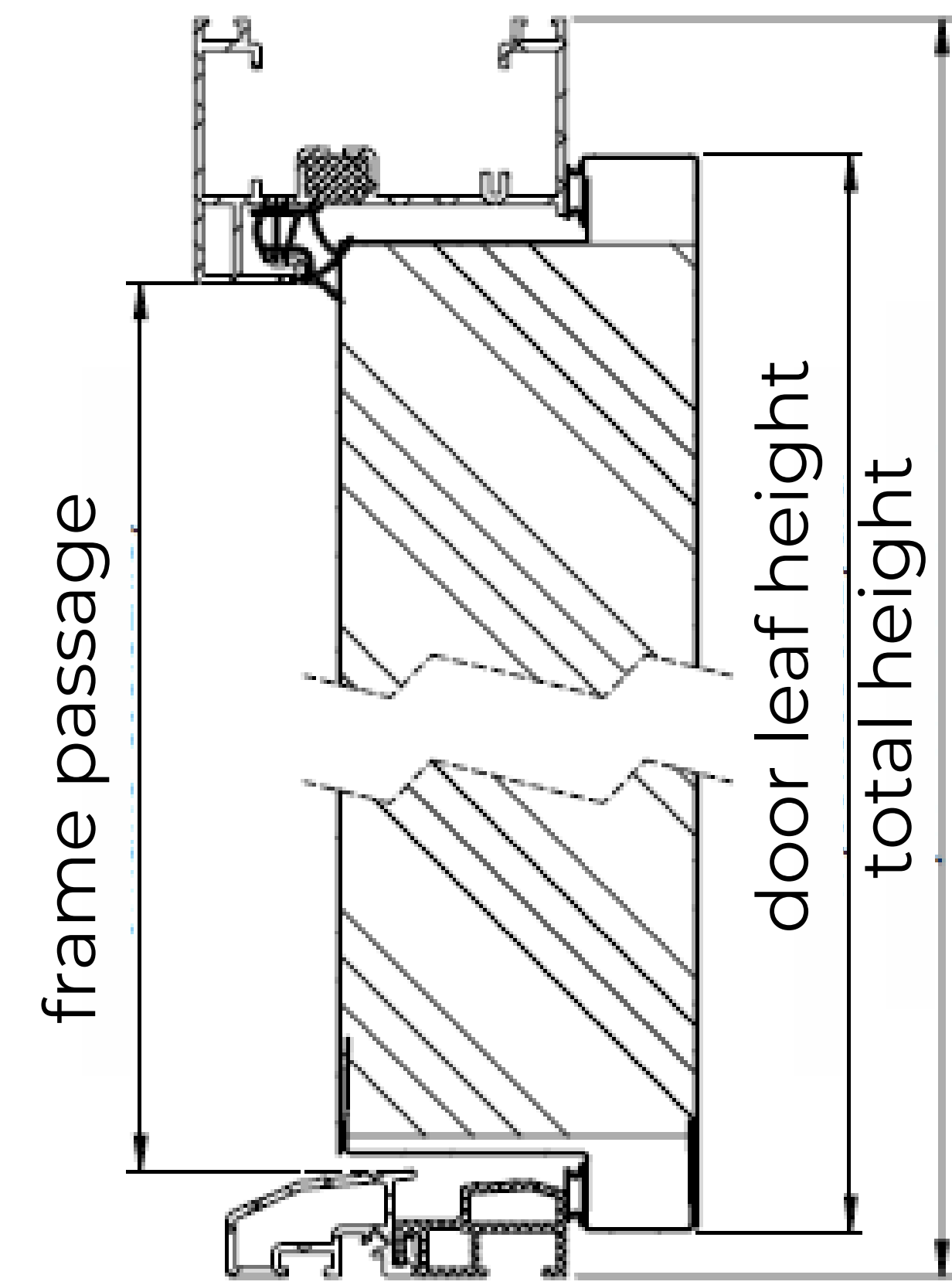
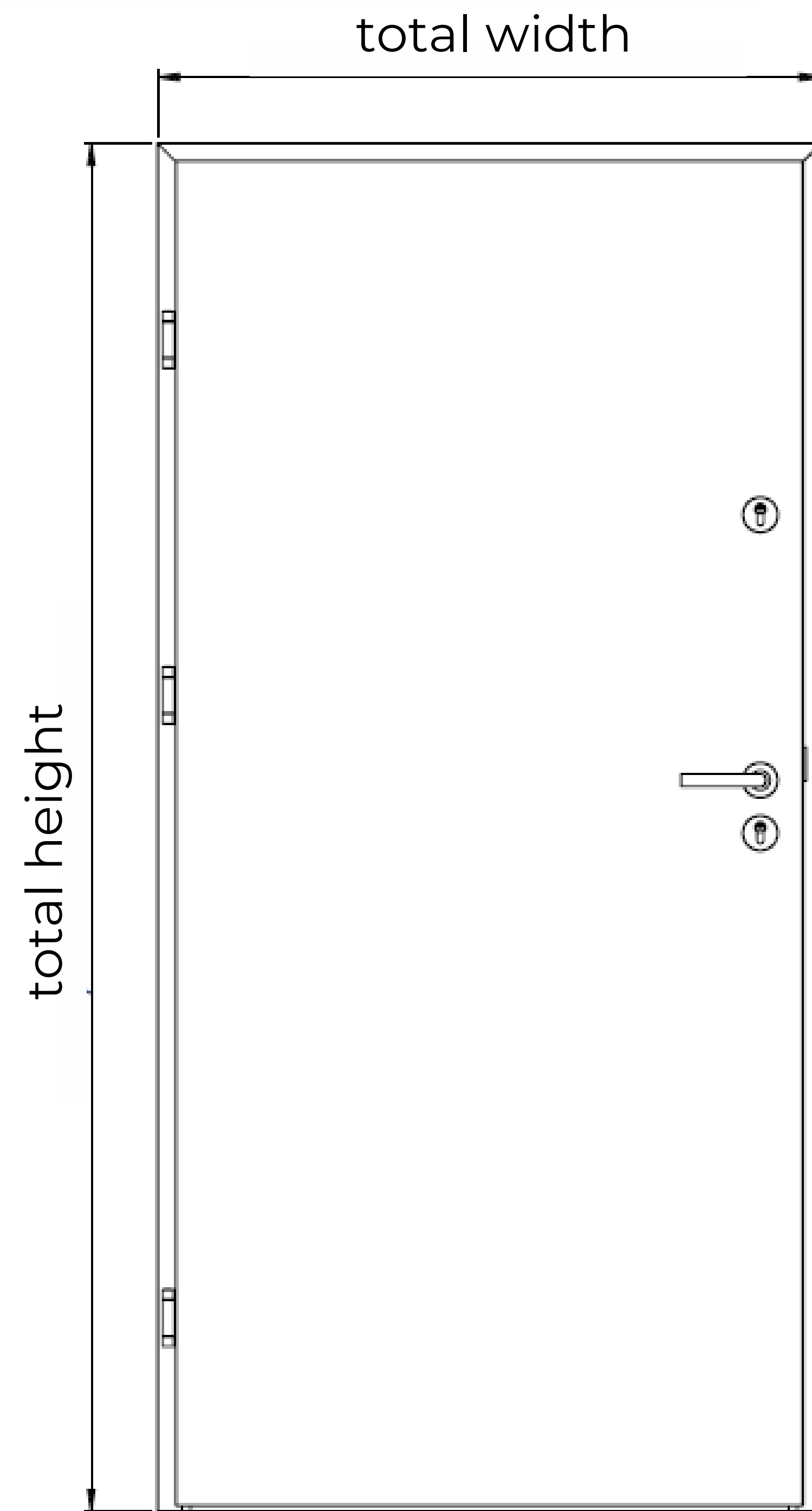
DIMENSIONS

ATU68

- 900mm x 2000mm
- 900mm x 2070 mm
- 980mm x 2080mm
- 1000mm x 2000mm
- 1000mm x 2070mm
- 1100mm x 2070mm

total height	total width	door leaf height	door leaf width	frame passage
2000	900	1965	850	800x1930
2070	900	2035	850	800x2000
2080	980	2045	930	880x2010
2000	1000	1965	950	900x1930
2070	1000	2035	950	900x2000
2070	1100	2035	1050	1000x2000

Product dimensional tolerance +/- 2 mm



FITTINGS

LOCK

SET 2:

Lever on both sides

Lever: with a stainless steel long backplate



SET 3:

Knob outside, lever inside

Knob: with a stainless steel long backplate



SET 2BL:

Lever on both sides

Lever: black with a long backplate



SET 3BL:

Knob outside, lever inside

Lever: black with a long backplate



Lock: Mortise lock with three bolts

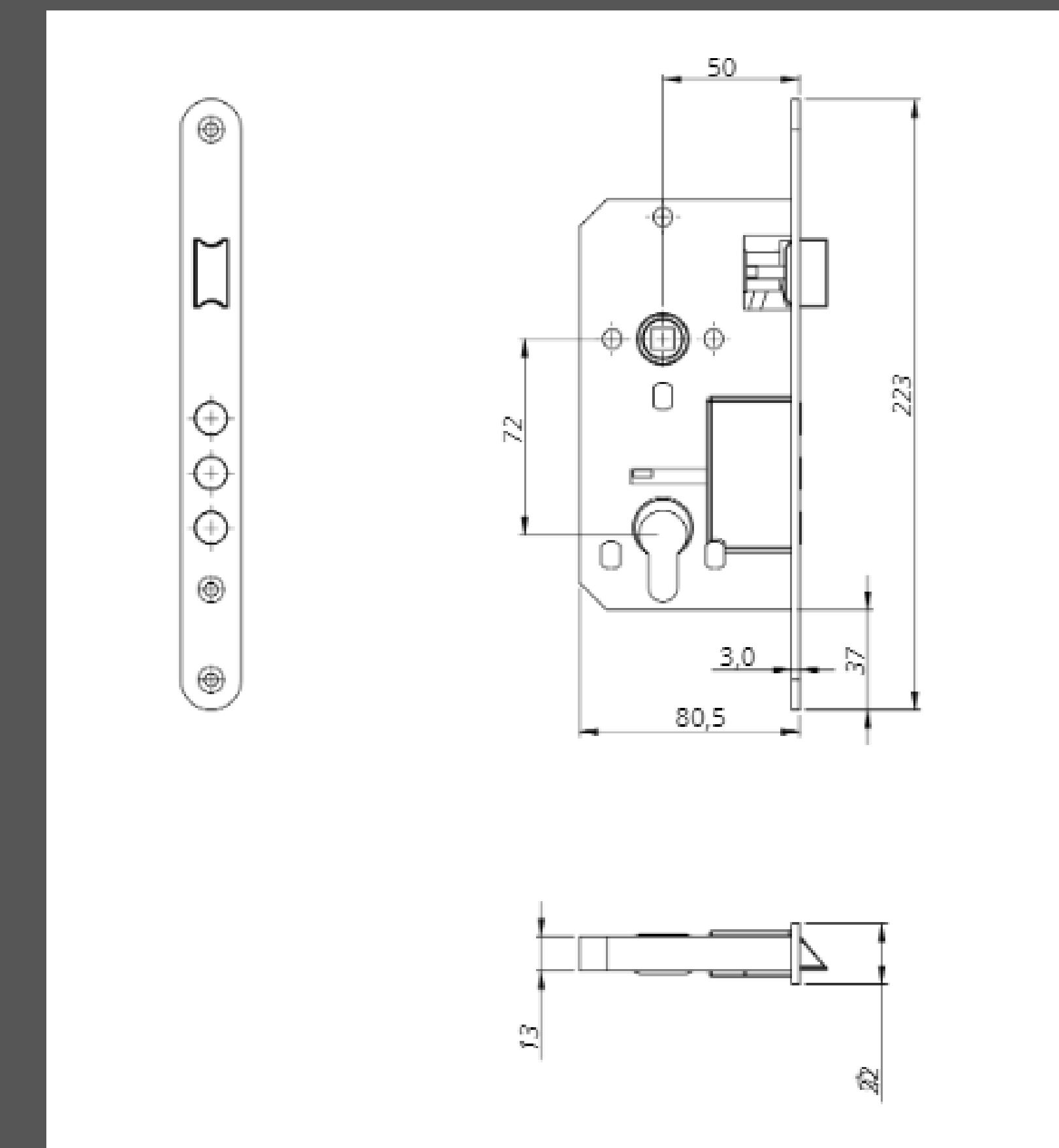
Number: 2 locks

Insert: cylindrical with 3 keys

Insert length: 45/55 mm

Backset/centre dimensions: 72/50 mm

Rosette with antiburglar protection available for an extra charge



HINGES



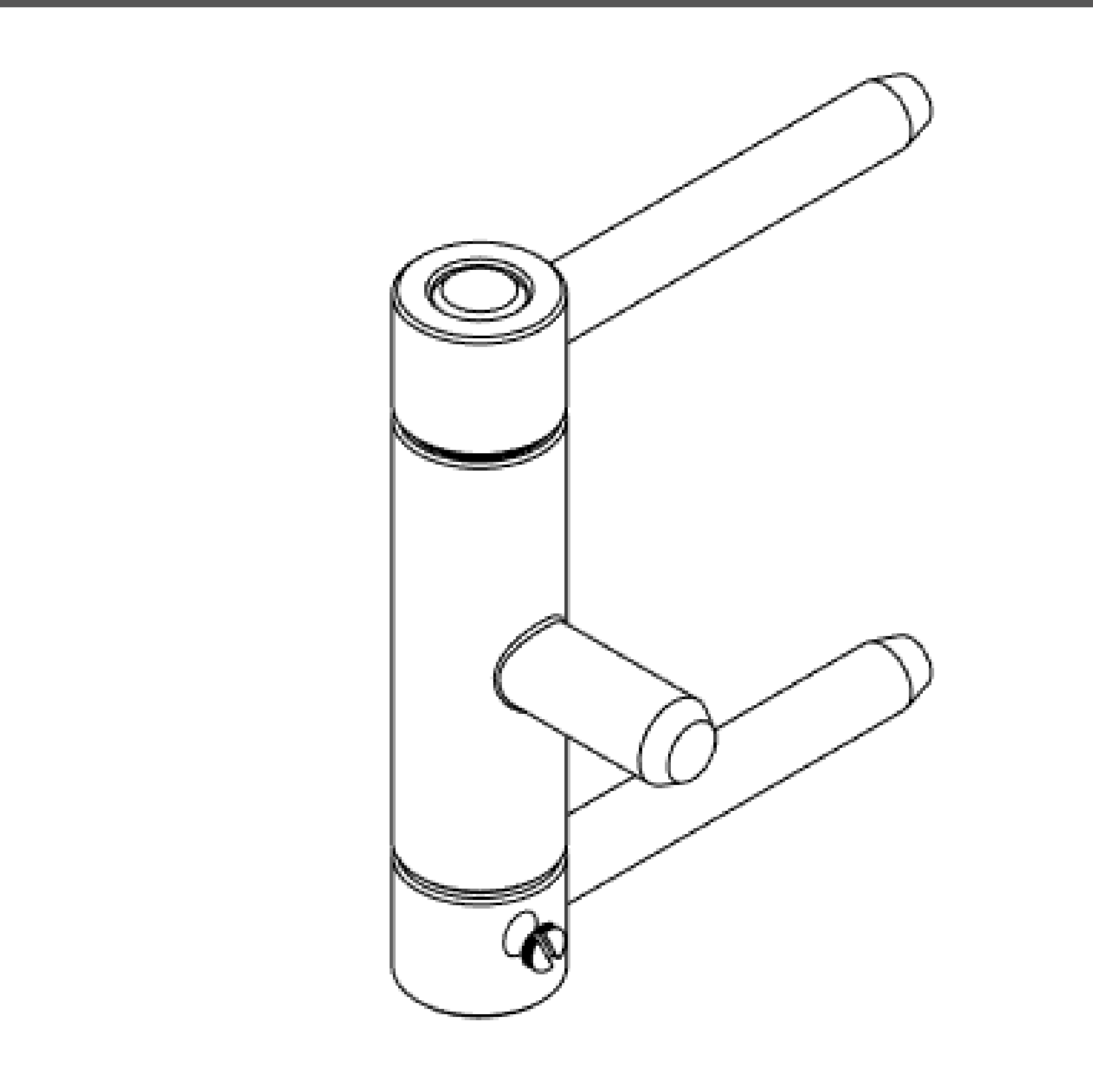
number: 3

type: 3-part drill-in hinge

dimension: 18 mm diameter

hinge bolts: 3 pcs.

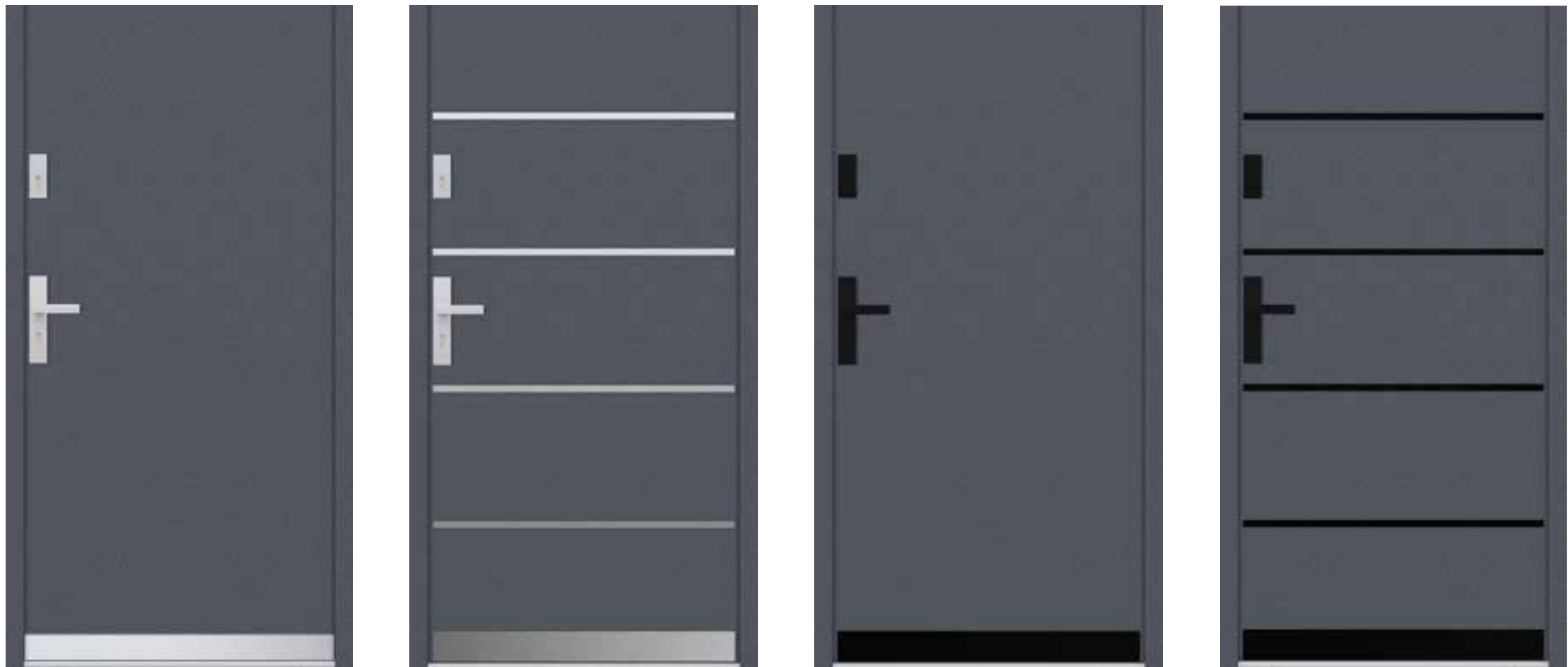
adjustment: 2D (pressure on the gasket and lateral)



protection against hinge pin removal

Additional options available:

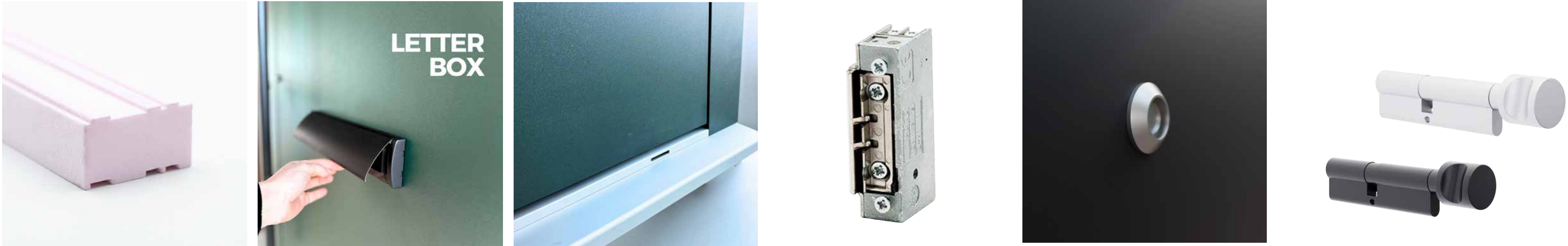
kickplate for models: 02, 07, 22, 27



frame extension 25 mm, 50 mm, 100 mm



threshold insulation: xps; letterplate; cill; door viewer; electric strike; insert with thumb turn



PACKAGING

Order: 1 piece

Opcjonalnie: drop shipping for an extra charge

Door packaging: cardboard box

Pallet – 16 pcs.

ATU68 door weight (depending on the dimension): from 28 kg to 41 kg

ATU68 pallet weight 16 pcs.: from 448 kg to 656 kg,

Full pallet height: 200 cm

Pallet dimensions: 220cm x 120cm



Pallet – 16 pcs.

Full truck – 12 pallets – 192 pcs